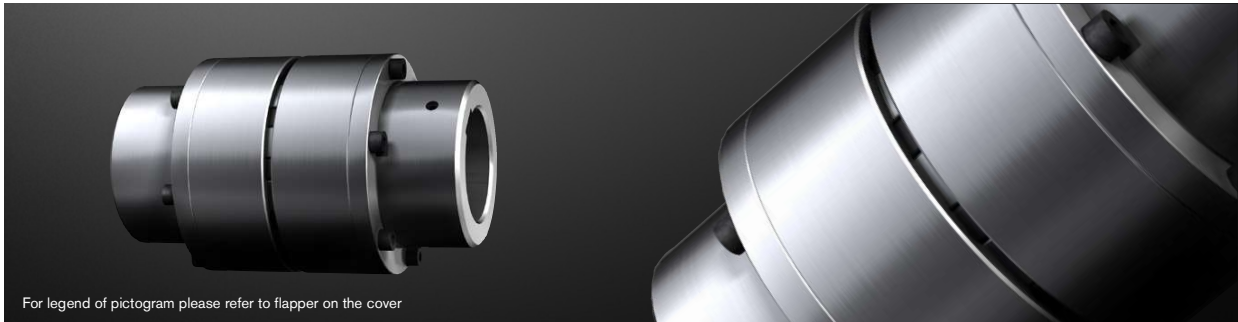


# POLY-NORM® AZR

## Flexible couplings

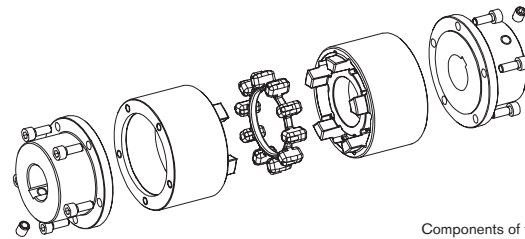
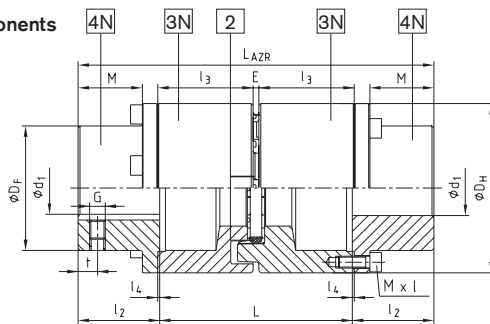
### Standard drop-out center design coupling



For legend of pictogram please refer to flapper on the cover



#### Components



Components of type AZR:  
 2 = Elastomer ring (NBR 78 ShA)  
 3N = Driving flange (GJL)  
 4N = Coupling flange (steel)

#### POLY-NORM® Type AZR

Size	Drop-out center length* L [mm]	Elastomer ring <sup>1)</sup> (component 2) Torque [Nm]		Max. finish bore d <sub>1</sub> <sup>2)</sup>	Dimensions [mm]													Mass moment of inertia <sup>3)</sup> [kgm <sup>2</sup> ]	Weight <sup>3)</sup> [kg]
					General										Setscrew				
					L <sub>AZR</sub>	l <sub>2</sub>	l <sub>3</sub>	E	l <sub>4</sub>	D <sub>H</sub>	D <sub>F</sub>	M	Mxl	T <sub>A</sub> [Nm]	G	t			
28	100	40	80	34	170	35	49.5	3	1	69	46	26	M6x18	14	M5	7	0.0020	2.4	
	140	60	120	38	170	35	49	4	1	78	53	26	M6x18	14	M8	7	0.0042	3.2	
32	100	90	180	45	184	42	49	4	1	87	62	33	M6x20	14	M8	10	0.0048	4.3	
	140				224	42	69	69	4	1	87	62	33	M6x20	14	M8	10	0.0068	5.1
38	100	150	300	50	190	45	49	4	1	96	69	35	M6x20	14	M8	10	0.0094	5.1	
	140				230	45	69	69	4	1	96	69	35	M6x20	14	M8	10	0.0128	6.0
42	100	220	440	55	204	52	49	5	1.5	106	78	41.5	M6x20	14	M8	15	0.0170	6.6	
	140				244	52	69	69	5	1.5	106	78	41.5	M6x20	14	M8	15	0.0216	7.5
48	100	300	600	65	210	55	49	5	1.5	118	88	43.5	M8x25	35	M8	14	0.0188	9.4	
	140				250	55	69	69	5	1.5	118	88	43.5	M8x25	35	M8	14	0.0240	10.8
55	180	410	820	70	290	60	89	5	1.5	129	97	47.5	M8x25	35	M8	15	0.0232	12.2	
	100				220	60	49	49	5	1.5	129	97	47.5	M8x25	35	M8	15	0.0326	11.2
60	140	550	1100	75	260	60	69	5	1.5	129	97	47.5	M8x25	35	M8	15	0.0414	13.0	
	180				300	60	89	89	5	1.5	129	97	47.5	M8x25	35	M8	15	0.0504	14.6
65	100	850	1700	90	230	65	49	5	1.5	140	105	51.5	M8x25	35	M10	20	0.0564	14.0	
	140				270	65	69	69	5	1.5	140	105	51.5	M8x25	35	M10	20	0.0730	15.8
75	180	1350	2700	100	310	75	89	5	1.5	140	105	51.5	M8x25	35	M10	20	0.0894	17.5	
	140				290	75	69	69	5	1.5	140	105	51.5	M8x25	35	M10	20	0.0824	23.2
85	180	2000	4000	110	330	75	89	5	1.5	158	123	60.5	M10x30	69	M10	20	0.1008	25.6	
	250				400	75	124	124	5	1.5	158	123	60.5	M10x30	69	M10	20	0.1332	29.8
90	140	2900	5800	120	310	100	69	6	2	224	165	83	M12x35	120	M12	25	0.1570	32.1	
	180				340	100	89	89	6	2	224	165	83	M12x35	120	M12	25	0.1812	40.7
100	180	1350	2700	100	420	124	124	5	1.5	182	139	69.5	M10x30	69	M10	25	0.1658	35.2	
	250				320	124	69	69	5	1.5	182	139	69.5	M10x30	69	M10	25	0.2466	38.2
90	180	2000	4000	110	360	90	89	5	1.5	200	148	73.5	M12x35	120	M12	25	0.2880	42.2	
	250				430	90	124	124	5	1.5	200	148	73.5	M12x35	120	M12	25	0.3566	49.3
100	140	2900	5800	120	340	100	69	6	2	224	165	83	M12x35	120	M12	25	0.3988	50.0	
	180				380	100	89	89	6	2	224	165	83	M12x35	120	M12	25	0.4450	54.8
	250				450	124	124										0.5465	63.2	

<sup>1)</sup> Standard material Perbunan [NBR] 78 Shore A, for selection see page 14 et seqq.

<sup>2)</sup> Bores H7 with keyway to DIN 6885 sheet 1 [JS9] and setscrew on the keyway

<sup>3)</sup> Referring to average bore

\*For other extendable lengths (L = 120/160/195/215) it is possible to combine two driving flanges 3N with various lengths. (As an example: driving flanges POLY-NORM® 85 for extendable length 140 and 250 give an extendable length of 195 mm (140 mm + 250 mm = 390 mm; 390 mm/2 = 195 mm))

Ordering example:	POLY-NORM® 42	AZR	140	Ø38	Ø42
	Coupling size	Type	Drop-out center length L	Finish bore	Finish bore