

ROTEX® Flexible jaw couplings

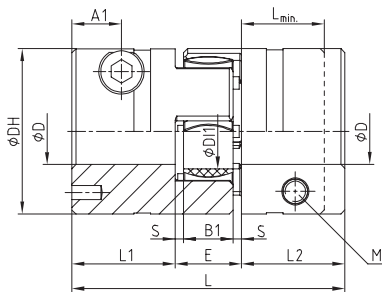
Clamping hubs



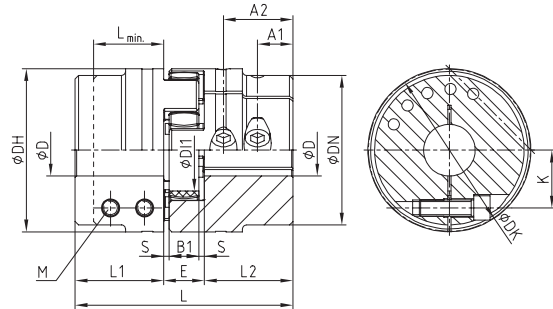
For legend of pictogram please refer to flapper on the cover



Components



ROTEX® 19 - 28



ROTEX® 38 - 90

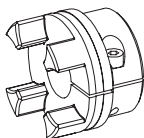
ROTEX® as clamping hubs																
Size	Dimensions [mm]														Screw DIN EN ISO 4762	
	D _{max.}	L	L ₁ , L ₂	L _{min.}	E	B ₁	S	DH	DN	DI ₁	DK	A ₁	A ₂	K	M	T _A [Nm]
19	20 ¹⁾	66	25	20	16	12	2.0	40	-	18	46.0	12	-	14.5	M6	14
24	28	78	30	25	18	14	2.0	55	-	27	57.5	12	-	20.0	M6	14
28	38	90	35	30	20	15	2.5	65	-	30	73.0	14 ²⁾	-	25.0	M8	35
38	42	114	45	35	24	18	3.0	80	70	38	77.5	19	-	26.5	M8	35
42	50	126	50	42	26	20	3.0	95	85	46	93.5	18 ²⁾	-	32.0	M10	69
48	55	140	56	46	28	21	3.5	105	95	51	105.0	21 ²⁾	-	36.0	M12	120
55	68	160	65	50	30	22	4.0	120	110	60	119.5	26	51 ²⁾	42.5 ³⁾	M12	120
65	70	185	75	55	35	26	4.5	135	115	68	132.5	33	61 ²⁾	50.0 ³⁾	M12	120
75	80	210	85	65	40	30	5.0	160	135	80	158.0	36	68 ²⁾	57.0 ³⁾	M16	295
90	90	245	100	80	45	34	5.5	200	160	100	197.0	40	80 ²⁾	72.0 ³⁾	M20	580

Bore D and the respective transmittable friction torques T _R [Nm] of ROTEX® clamping hubs type 2.0																														
Size	Ø8	Ø10	Ø11	Ø14	Ø15	Ø16	Ø18	Ø19	Ø20	Ø22	Ø24	Ø25	Ø28	Ø30	Ø32	Ø35	Ø38	Ø40	Ø42	Ø45	Ø48	Ø50	Ø55	Ø60	Ø65	Ø70	Ø75	Ø80	Ø85	Ø90
19	44	46	47	51	52	53	55	57	58																					
24		59	60	64	65	66	68	70	71	73	76	77	80																	
28				139	141	144	148	150	152	157	161	163	170	174	178	185	191													
38				163	165	170	172	174	178	183	185	192	196	200	207	213	217	222												
42								291	297	304	308	318	325	332	342	353	360	367	377	387	394									
48								466	476	486	491	506	516	526	542	557	567	577	592	607	618	643								
55														1185	1215	1245	1266	1286	1316	1347	1367	1417	1468	1519						
65															1316	1347	1367	1387	1417	1448	1468	1519	1569	1620	1671					
75																	2869	2926	2983	3022	3117	3213	3309	3404	3500	3595				
90																		5220	5310	5400	5460	5610	5760	5910	6060	6210	6360	6510	6660	

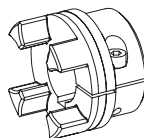
¹⁾ With type 2.1 D_{max.} Ø17 mm

²⁾ With reduced hubs dimension A₁ varies resp. the number of screws changes from 2-off to 1-off

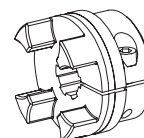
³⁾ A₁ and A₂ have a different dimension K



Type 2.0
Clamping hub single slot without feather keyway



Type 2.1
Clamping hub single slot with feather keyway



Type 2.3
Clamping hub with spline bore (For a selection of our programme of spline bores see page 36)

Ordering example:	ROTEX® 24	98 ShA	2.1	Ø24	2.0	Ø20
		Coupling size	Spider hardness	Hub type	Finish bore	Hub type