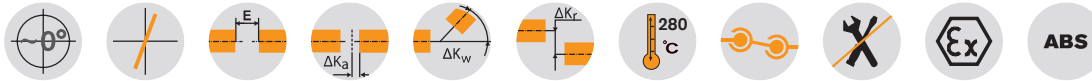


# RADEX®-N NENA 1, NENA 2, NENE and NNZ Steel laminae couplings

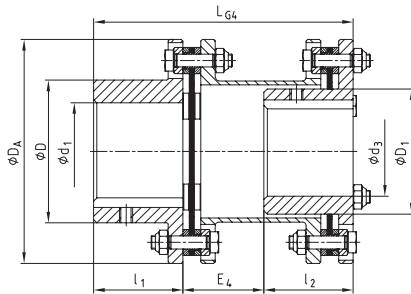
## Standard types



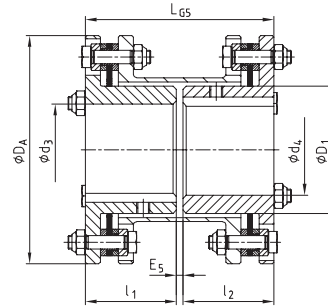
For legend of pictogram please refer to flapper on the cover



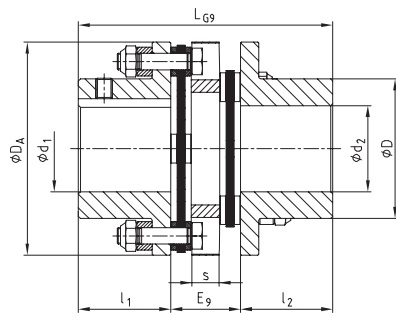
### Components



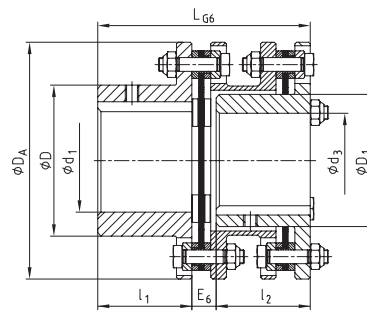
Type NENA 1



Type NENE



Type NNZ



Type NENA 2

RADEX®-N Types NENA 1, NENE, NENA 2, NNZ

Size	Max. finish bore		Dimensions [mm]											
	d <sub>1</sub> , d <sub>2</sub>	d <sub>3</sub> , d <sub>4</sub>	D	D <sub>1</sub>	D <sub>A</sub>	l <sub>1</sub> , l <sub>2</sub>	LG4	E <sub>4</sub>	LG5	E <sub>5</sub>	LG6	E <sub>6</sub>	LG9	E <sub>9</sub>
20	20	-	32	-	56	20	-	-	-	-	-	-	58	18
25	25	-	40	-	68	25	-	-	-	-	-	-	70	20
35	38	-	54	-	82	40	-	-	-	-	-	-	102	22
38	42	-	58	-	94	45	-	-	-	-	-	-	118	28
42	50	-	68	-	104	45	-	-	-	-	-	-	124	34
50	55	-	78	-	126	55	-	-	-	-	-	-	144	34
60	65	55	88	77	138	55	160	50	114	4	124	14	144	34
70	75	65	102	90	156	65	190	60	134	4	144	14	166	36
80	85	75	117	104	179	75	220	70	154	4	167	17	-	-
85	90	80	123	112	191	80	232	72	164	4	178	18	-	-
90	100	85	132	119	210	80	233	73	166	6	184	24	-	-
105	110	90	147	128	225	90	263	83	186	6	204	24	-	-
115	120	100	163	145	265	100	288	88	206	6	227	27	-	-

Ordering example:	RADEX®-N 60	NENA 1	Ø50	Ø60
	Coupling size	Type	Finish bore d <sub>1</sub>	Finish bore d <sub>2</sub>