

POLY-NORM® ADR Flexible couplings

Flexible jaw and
pin & bush couplings

ROFLEX®

Three-part

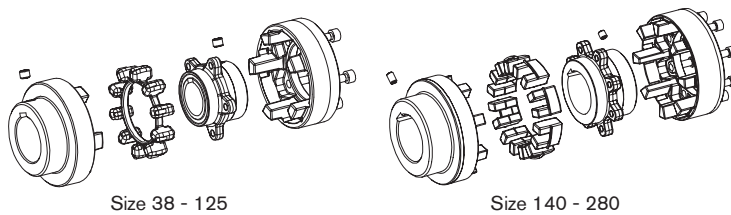
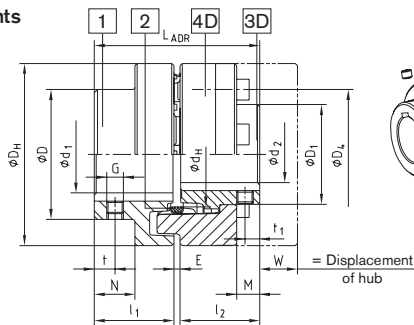


For legend of pictogram please refer to flapper on the cover



ROFLEX®

Components



Size 38 - 125

Size 140 - 280

- Components of type ADR (three-part):
 1 = Standard hub* (GJL)
 2 = Elastomer ring (up to size 180: NBR 78 ShA; from size 200: T-PUR® 84 ShA)
 3D = Flange hub (GJS); 4D = Cam ring (GJL)
 * To be used preferably on driving side

POLY-NORM® Type ADR

Size	Elastomer ring ¹⁾ (component 2) Torque [Nm]		Dimensions [mm]															
			Max. finish bore ²⁾		General											Setscrew		
	T _{KN}	T _{K max}	d ₁	d ₂	L _{ADR}	l ₁ , l ₂	E	D _H	D	D ₁	d _H	N	M	W	G	t	t ₁	T _A [Nm]
38	90	180	40	34	80	38	4	87	62	48	50	19.5	11.0	12	M8	10	7	10
42	150	300	45	38	88	42	4	96	69	54	55.5	20	12.0	16	M8	10	7	10
48	220	440	50	44	101	48	5	106	78	62	64	24	13.7	16	M8	15	7	10
55	300	600	60	50	115	55	5	118	90	72	73	29	18.7	15	M8	14	14	10
60	410	820	65	56	125	60	5	129	97	80	81	33	22.2	14	M8	15	15	10
65	550	1100	70	60	135	65	5	140	105	86	86	36	26.7	11	M10	20	20	17
75	850	1700	80	68	155	75	5	158	123	98	100	42.5	27.8	16	M10	20	20	17
85	1350	2700	90	78	175	85	5	182	139	112	116	48.5	33.7	18	M10	25	25	17
90	2000	4000	95	85	185	90	5	200	148	122	128	49	31.5	26	M12	25	25	40
100	2900	5800	110	95	206	100	6	224	165	136	143	55	37.5	28	M12	25	25	40
110	3900	7800	105-120	105	226	110	6	250	185	150	158	60	39.5	30	M16	30	30	80
125	5500	11000	55-140	115	256	125	6	280	210	168	178	70	48.0	35	M16	35	35	80
140	7200	14400	65-155	55-135	286	140	6	315	235	195	216	76.5	47.0	59	M20	35	35	140
160	10000	20000	75-175	65-155	326	160	6	350	265	225	246	94.5	65.0	43	M20	45	45	140
180	13400	26800	75-200	65-175	366	180	6	400	300	255	290	111.5	79.0	33	M20	50	50	140
200	19000	38000	85-200	73-200	408	200	8	450	335	290	320	126	95	7	M24	50	50	240
220	30000	60000	95-220	83-220	448	220	8	500	370	320	354	140	103	8	M24	50	50	240
240	43000	86000	105-240	93-240	488	240	8	550	405	350	388	154	119	1	M24	50	50	240
260	55000	110000	115-260	103-260	530	260	10	650	440	380	445	158	109	34	M24	60	60	240
280	67000	134000	125-280	113-280	570	280	10	700	475	410	478	172	109	29	M24	60	60	240

Selection of cap screws DIN EN ISO 4762 - 12.9

Size	M x l [mm]	z = number	Pitch z x angle	D ₄ [mm]	T _A [Nm] ³⁾	Size	M x l [mm]	z = number	Pitch z x angle	D ₄ [mm]	T _A [Nm] ³⁾
38	M6x16	5	5x72	62	10	110	M16x40	8	8x45	183	210
42	M8x16	5	5x72	69	25	125	M20x40	8	8x45	202	410
48	M8x20	6	6x60	78	25	140	M20x50	8	8x45	237	410
55	M8x20	6	6x60	88	25	160	M20x55	9	9x40	267	410
60	M8x20	6	6x60	98	25	180	M20x60	10	10x36	304	410
65	M10x20	6	6x60	104	49	200	M20x60	10	10x36	342	580
75	M10x25	6	6x60	120	49	220	M24x70	10	10x36	378	1000
85	M12x25	6	6x60	138	86	240	M27x70	10	10x36	416	1500
90	M16x30	6	6x60	149	210	260	M30x90	10	10x36	480	2000
100	M16x30	6	6x60	163	210	280	M30x90	10	10x36	520	2000

¹⁾ Standard material Perbunan [NBR] 78 Shore A, size 140 - 280 double tooth elastomers, for selection see page 14 et seqq.

²⁾ Bores H7 with keyway to DIN 6885 sheet 1 [JS9] and setscrew ³⁾ Screw tightening torques acc. to 8.8

Ordering example:	POLY-NORM® 65	ADR	d ₁ = Ø55	d ₂ = Ø60
	Coupling size	Type	Finish bore	Finish bore

POLY-NORM®

POLY

REVOLLEX®