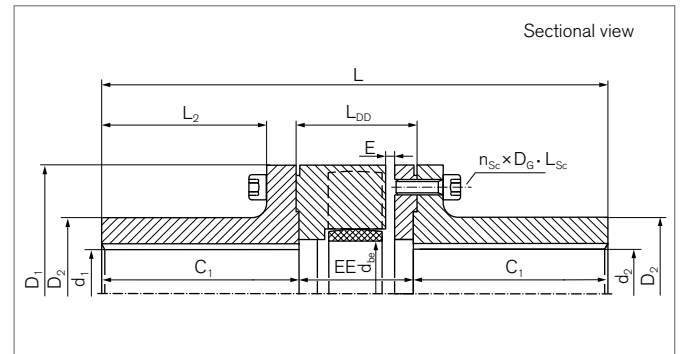
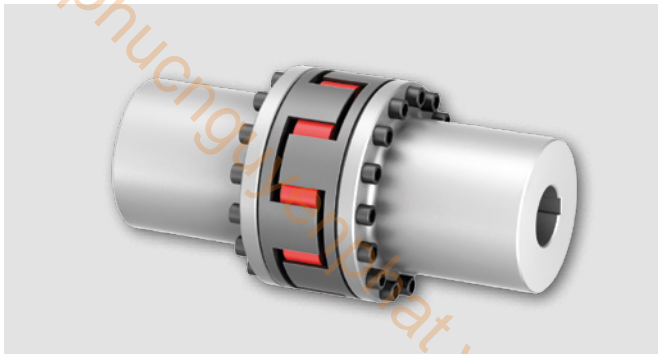


Elastomer Jaw Couplings

RINGFEDER® TNS SDDL-5

Coupling with detachable claw rings and long flange hubs



Identifier	Size	T _{KN}	T _{Kmax}	n _{max}	d _{1kmax}	d _{2kmax}	D ₁	D ₂	C ₁	L	L ₂
		Nm	Nm	1/min	mm	mm	mm	mm	mm	mm	mm
WS0710-L	100	130	390	7250	45	45	105	65	110	272	98,5
WS0712-L	125	250	750	6000	55	55	126	80	110	278	96,5
WS0714-L	145	400	1200	5250	65	65	145	92	110	288	93,5
WS0717-L	170	630	1900	4500	75	75	170	110	140	348	123,5
WS0720-L	200	1100	3300	3750	95	95	200	135	170	417	153,5
WS0723-L	230	1700	5150	3250	110	110	230	160	170	421	150
WS0726-L	260	2650	7950	3000	125	125	260	180	210	516	185,5
WS0730-L	300	3900	11700	2500	140	140	300	200	210	533	183,5
WS0736-L	360	6500	19500	2150	160	160	360	225	250	625	220,5
WS0740-L	400	8900	26700	1900	160	160	400	225	250	625	220,5

Identifier	Size	L _{DD}	E	F _E	EE	d _{be}	Screws ISO 4762 - 8.8			T _A	G _{wub}
							n _{Sc}	D _G	L _{Sc}		
		mm	mm	mm	mm	mm		mm	mm	Nm	kg
WS0710-L	100	55	5	+ 2,0	52	42	9	8	20	25	8,5
WS0712-L	125	61	5	+ 2,5	58	54	9	10	25	49	13,1
WS0714-L	145	71	5	+ 2,5	68	66	9	12	30	85	18,5
WS0717-L	170	71	5	+ 3,0	68	90	12	12	30	85	29,7
WS0720-L	200	81	6	+ 3,0	77	100	12	14	30	135	51,3
WS0723-L	230	86	7	+ 3,5	81	115	15	14	35	135	71,4
WS0726-L	260	101	8	+ 4,0	96	150	15	16	40	210	110,5
WS0730-L	300	118	8	+ 4,0	113	162	15	20	50	425	147,8
WS0736-L	360	130	8	+ 4,0	125	215	12	24	55	730	228,5
WS0740-L	400	130	8	+ 4,0	125	250	14	24	55	730	246,3

For further information see chapter „Introduction“ as well as chapter „Elastomer Jaw Couplings RINGFEDER® TNS Basic information“ in the Product Paper & Tech Paper „RINGFEDER® Elastomer Jaw Couplings“

To continue see next page

Elastomer Jaw Couplings RINGFEDER® TNS SDDL-5

Explanation

T_{KN} = Nom. Transmissible torque	D₂ = Outer diameter hub	d_{be} = Inner diameter elastic intermediate ring
T_{Kmax} = Max. transmissible torque of the coupling	C₁ = Guided length in hub bore	n_{Sc} = Quantity of screws
n_{max} = Max. rotation speed	L = Total length	D_G = Thread
d_{1kmax} = Max. bore diameter d ₁ with keyway acc. to DIN 6885-1	L₂ = Length on the hub	L_{Sc} = Screw length
d_{2kmax} = Max. bore diameter d ₂ with keyway acc. to DIN 6885-1	L_{DD} = Distance dimension	F_{Sc} = Screw strength class
D₁ = Outer diameter	E = Gap width between left and right component	T_A = Max tightened torque of the clamping screws
	F_E = Tolerance of the gap width E	GW_{ub} = Weight, unbored
	EE = Distance of the hubs	

Ordering example

Identifier	Size	d _{1k}	d _{2k}	Further details
WS0726-L	260	125	125	*

^{*)} Without any other specification, we deliver as a standard: with set screws and keyway acc. to DIN 6885-1, keyway side fit P9, bore tolerance H7

Further information on
RINGFEDER® TNS SDDL-5
 on www.ringfeder.com

Disclaimer of liability

All technical details and notes are non-binding and cannot be used as a basis for legal claims. The user is obligated to determine whether the represented products meet his requirements. We reserve the right carry out modifications at any time in the interests of technical progress.