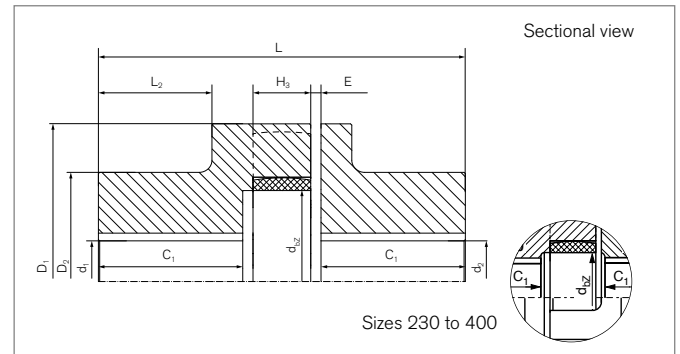
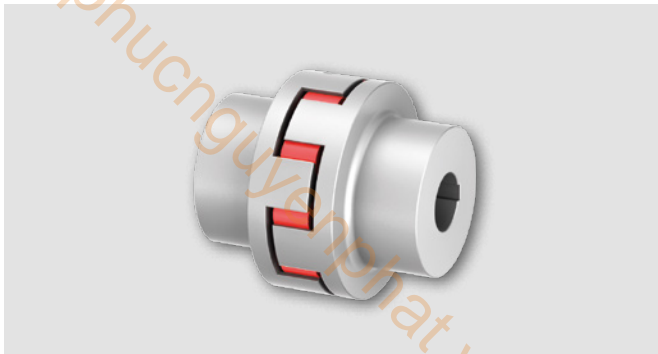


Elastomer Jaw Couplings

RINGFEDER® TNS S-St

Coupling with standard hubs



| Identifier | Size | T _{KN} | T _{KNmax} | n _{max} | d _{1kmax} | d _{2kmax} | D ₁ | D ₂ | C ₁ |
|------------|------|-----------------|--------------------|------------------|--------------------|--------------------|----------------|----------------|----------------|
| | | Nm | Nm | 1/min | mm | mm | mm | mm | mm |
| WS0105 | 50 | 15 | 40 | 15000 | 25 | 25 | 50 | 41 | 30 |
| WS0107 | 70 | 55 | 160 | 11000 | 38 | 38 | 70 | 55 | 38,5 |
| WS0108 | 85 | 75 | 225 | 9000 | 40 | 40 | 85 | 60 | 43,5 |
| WS0110 | 100 | 130 | 390 | 7250 | 48 | 48 | 105 | 75 | 49,5 |
| WS0112 | 125 | 250 | 750 | 6000 | 55 | 55 | 126 | 85 | 56,5 |
| WS0114 | 145 | 400 | 1200 | 5250 | 65 | 65 | 145 | 95 | 61 |
| WS0117 | 170 | 630 | 1900 | 4500 | 85 | 85 | 170 | 120 | 75 |
| WS0120 | 200 | 1100 | 3300 | 3750 | 95 | 95 | 200 | 135 | 99 |
| WS0123 | 230 | 1700 | 5150 | 3250 | 105 | 105 | 230 | 150 | 110 |
| WS0126 | 260 | 2650 | 7950 | 3000 | 125 | 125 | 260 | 180 | 112,5 |
| WS0130 | 300 | 3900 | 11700 | 2500 | 140 | 140 | 300 | 200 | 131,5 |
| WS0136 | 360 | 6500 | 19500 | 2150 | 150 | 150 | 360 | 210 | 172 |
| WS0140 | 400 | 8900 | 26700 | 1900 | 160 | 160 | 400 | 225 | 163,5 |

| Identifier | Size | L | L ₂ | E | F _E | H ₃ | d _{be} | G _{Wub} |
|------------|------|-----|----------------|-----|----------------|----------------|-----------------|------------------|
| | | mm | mm | mm | mm | mm | mm | kg |
| WS0105 | 50 | 75 | 23,5 | 1,5 | + 1,0 | 12 | 19 | 0,8 |
| WS0107 | 70 | 100 | 31,5 | 2,5 | + 1,5 | 18 | 26 | 1,8 |
| WS0108 | 85 | 110 | 35 | 2,5 | + 2,0 | 18 | 38 | 2,7 |
| WS0110 | 100 | 125 | 37,5 | 3 | + 2,0 | 20 | 42 | 4,9 |
| WS0112 | 125 | 145 | 44 | 3,5 | + 2,5 | 25 | 54 | 7,5 |
| WS0114 | 145 | 160 | 47,5 | 4 | + 2,5 | 30 | 66 | 10,6 |
| WS0117 | 170 | 190 | 60,5 | 5 | + 3,0 | 30 | 90 | 18,0 |
| WS0120 | 200 | 245 | 79,5 | 6 | + 3,0 | 35 | 100 | 31,0 |
| WS0123 | 230 | 270 | 88,5 | 7 | + 3,5 | 35 | 115 | 43,5 |
| WS0126 | 260 | 285 | 88,5 | 7 | + 4,0 | 45 | 150 | 63,0 |
| WS0130 | 300 | 330 | 107,5 | 7 | + 4,0 | 50 | 162 | 91,5 |
| WS0136 | 360 | 417 | 140 | 8 | + 4,0 | 55 | 215 | 146,2 |
| WS0140 | 400 | 400 | 137 | 7,5 | + 4,0 | 55 | 250 | 160,4 |

For further information see chapter „Introduction“ as well as chapter „Elastomer Jaw Couplings RINGFEDER® TNS Basic information“ in the Product Paper & Tech Paper „RINGFEDER® Elastomer Jaw Couplings“

To continue see next page

Elastomer Jaw Couplings RINGFEDER® TNS S-St

Explanation

| | | |
|---|---|--|
| T_{KN} = Nom. Transmissible torque | D₁ = Outer diameter | H₃ = Length of damping module |
| T_{Kmax} = Max. transmissible torque of the coupling | D₂ = Outer diameter hub | d_{be} = Inner diameter elastic intermediate ring |
| n_{max} = Max. rotation speed | C₁ = Guided length in hub bore | G_{Wub} = Weight, unbored |
| d_{1kmax} = Max. bore diameter d ₁ with keyway acc. to DIN 6885-1 | L = Total length | |
| d_{2kmax} = Max. bore diameter d ₂ with keyway acc. to DIN 6885-1 | L₂ = Length on the hub | |
| | E = Gap width between left and right component | |
| | F_E = Tolerance of the gap width E | |

Ordering example

| Identifier | Size | d _{1k} | d _{2k} | Further details |
|------------|------|-----------------|-----------------|-----------------|
| WS0117 | 170 | 85 | 85 | * |

^{*)}Without any other specification, we deliver as a standard: with set screws and keyway acc. to DIN 6885-1, keyway side fit P9, bore tolerance H7

Further information on
RINGFEDER® TNS S-St
 on www.ringfeder.com

Disclaimer of liability

All technical details and notes are non-binding and cannot be used as a basis for legal claims. The user is obligated to determine whether the represented products meet his requirements. We reserve the right carry out modifications at any time in the interests of technical progress.