

EN

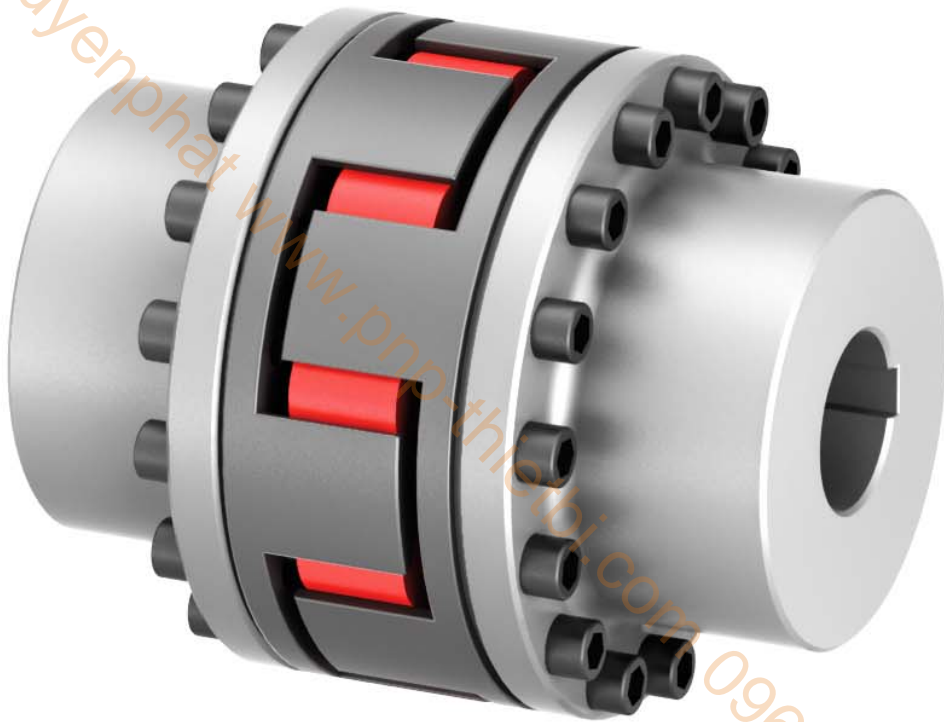
08.2019



Elastomer Jaw Couplings

**RINGFEDER® TNS SDD-5, TNS SDDL-5**

**Installation and Operation Manual**



**TNS SDD-5**



**TNS SDDL-5**

# Contents

Chapter	Page
1 Safety Instructions .....	2
2 Technical Description .....	3
2.1 Intended Application .....	3
3 Coupling Marking.....	4
3.1 Marking of Buffer Rings .....	4
4 Storage .....	4
5 Construction .....	5
6 Technical Data.....	6
7 Installation .....	8
7.1 To be observed prior to installation.....	8
7.2 Finish Bores.....	9
7.3 Coupling Installation .....	10
8 Coupling Alignment.....	12
8.1 Angular Misalignment .....	13
8.2 Radial Misalignment .....	13
8.3 Axial Misalignment.....	14
9 Operation.....	15
9.1 Check of Direction of Rotation .....	18
10 Maintenance.....	20
10.1 Wear Inspection on the Buffer Ring.....	20
10.2 Wear inspection while the equipment is at standstill.....	21
10.3 Replacement of the elastic buffer ring .....	22
11 Disposal .....	23

## 1 Safety Instructions

This installation and operation manual is an essential component of the coupling delivery. Always keep this manual in a readily accessible place near the coupling. Take care that all persons being charged with the installation, operation, maintenance and repair of the coupling have read and understood this manual and that all instructions contained therein are carefully observed in order to:

- avoid danger to life and limb of the user or third persons,
- ensure the operational safety of the coupling,
- preclude operation failures and environmental damages due to wrong handling and misuse.

The relevant instructions and regulations regarding safety at work and environmental protection have to be observed while transporting, mounting and dismantling the coupling. Make sure that appropriate transportation means and tools are at disposal.

The coupling shall be operated, mounted, maintained and repaired by authorized, trained and instructed personnel only.

In the interest of further development, we reserve the right to carry out modifications serving the technical progress.

We do not assume any liability or warranty for any damages resulting from the use of accessories and parts that are not originally manufactured by RINGFEDER POWER TRANSMISSION.

---

## 2 Technical Description

The RINGFEDER® TNS SDD-5 / TNS SDDL-5 coupling is a torsionally flexible, puncture proof claw coupling with removable intermediate part comprising the claw rings and the buffer ring.

It compensates for angular, radial and axial shaft misalignments within defined limits. The coupling transmits torque through elastic buffers loaded in shear. These buffers come in Perbunan (Pb) or polyurethane (Vk), as a standard VkR, and are connected to each other to form an elastic buffer ring.

This buffer ring dampens shocks and torsional vibrations and is resistant to oil.

Buffer rings made of Perbunan are electrically conductive.

The two-parted construction of both coupling halves allows radial mounting and dismounting of the intermediate part. The buffer ring can, therefore, be replaced without having to displace the connected machines. When the intermediate part is removed, it is easily possible to check the rotational direction of the drive.

The coupling is suitable for use in every direction of rotation and installation position.

### 2.1 Intended Application

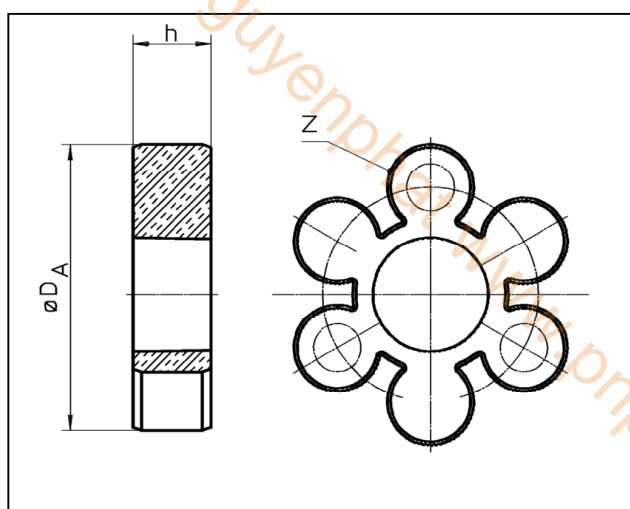
- The coupling must only be operated in normal industrial atmospheres. Since aggressive media may attack the coupling components, screws and elastic buffer rings, they represent a risk for the operational safety of the coupling. Consult RINGFEDER POWER TRANSMISSION in such cases.
- In order to ensure trouble-free and reliable operation, the coupling has to be sized according to the design specifications, e.g. according to DIN 740, part 2, (or acc. to Product Paper & Tech Paper "Elastomer Jaw Couplings"), with a service factor appropriate for the service conditions.
- Except for the production of a finish bore with keyway, no further modifications are allowed to be carried out on the coupling!
- The coupling shall only be used and operated within the frame of the conditions as defined in the performance or delivery contract.
- Any change in the operation conditions or service parameters requires the verification of the coupling design.

### 3 Coupling Marking

#### 3.1 Marking of Buffer Rings

The buffer rings are marked on the face of one buffer element as follows:

- Coupling size and material abbreviation (Vk for Polyurethane or Pb for Perbunan)
- Year of construction
  
- Pb72 = buffer ring of Perbunan, 72 Shore(A) / black
- Pb82 = buffer ring of Perbunan, 82 Shore(A) / black
- VkB = buffer ring of Polyurethane, 83 Shore(A) / blue
- VkR = buffer ring of Polyurethane, 93 Shore(A) / red
- Vk60D = buffer ring of Polyurethane, 60 Shore(D) white/beige



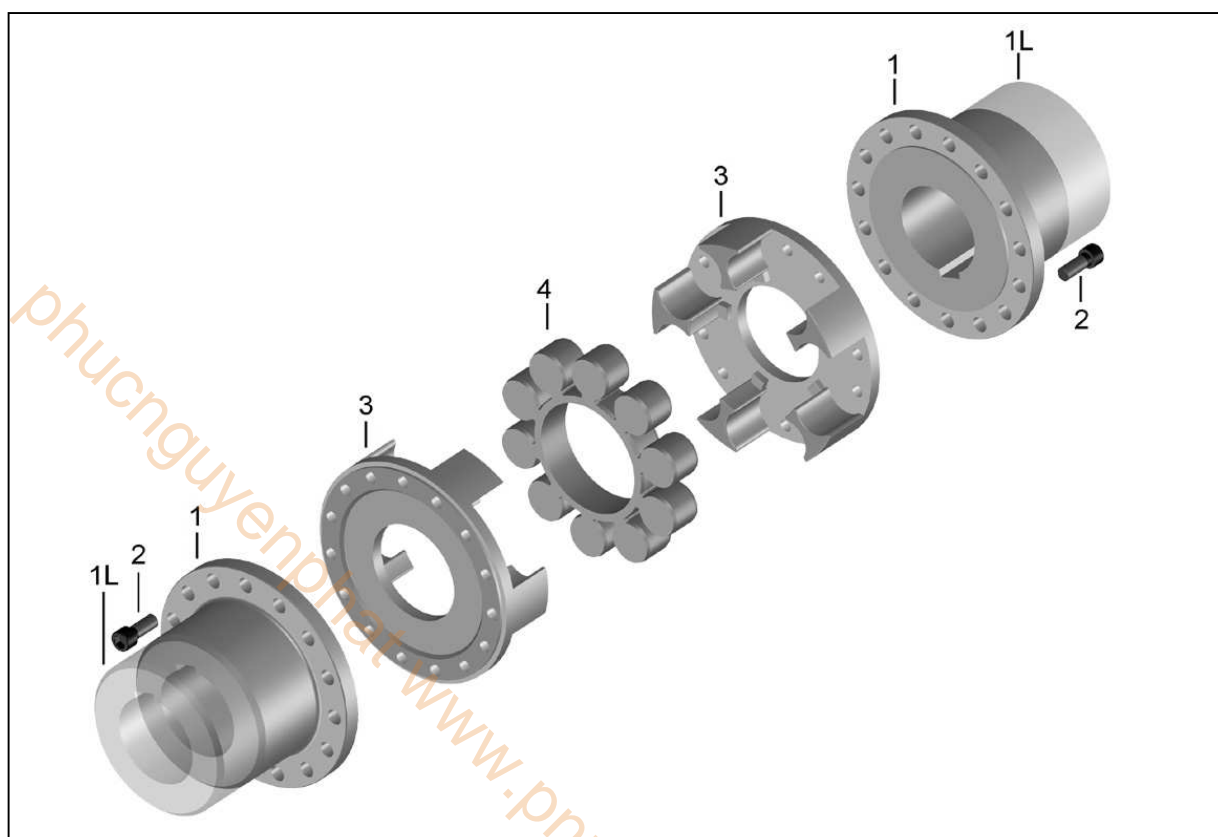
Size	$D_A$ [mm]	$h$ [mm]	$z$
50	48	12	4
70	70	18	6
85	82	18	6
100	100	20	6
125	121	25	6
145	139	30	6
170	166	30	8
200	194	35	8
230	222	35	10
260	253	45	10
300	294	50	10
360	350	55	12
400	393	55	14

### 4 Storage

On receipt of the goods, immediately check that all parts are on hand and are as ordered. Eventual shipping damages and/or missing parts have to be reported in writing.

The coupling parts can be stored in the delivered state in a dry place under roof at normal ambient temperatures for a time period of 6 months. Storage for a longer period requires the application of a long-term preservation. (Please consult RINGFEDER POWER TRANSMISSION in this respect.) The buffer rings must not be exposed to ozonic media, direct sun light or intensive light sources with UV light. The air humidity should not exceed 65 %. If the parts are properly stored, the quality characteristics of the elastic buffer rings remains almost unchanged for up to three years.

## 5 Construction



**Fig. 1 Construction RINGFEDER® TNS SDD-5 / TNS SDDL-5**

- 1 Flange hub SDD-5, part 361,
- 1L Long hub SDDL-5, part 368
- 2 Cheese head screw DIN 912
- 3 Claw ring, part 360
- 4 Elastic buffer ring, part 020

**Note:**

The flange hubs (pos. 1/1L) and removable claw rings (pos. 3) are bolted to each other when supplied.

Balanced parts are match marked to each other.

## 6 Technical Data

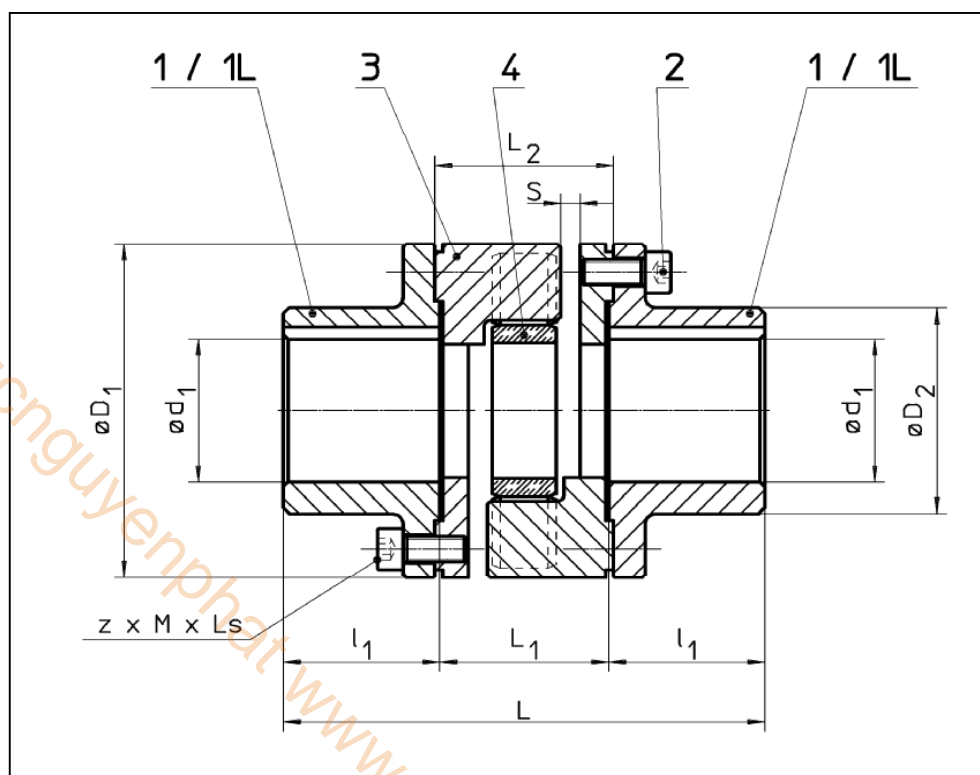


Bild / Fig. 2 Construction RINGFEDER® TNS SDD-5 / TNS SDDL-5

Tabelle 1 Technical Data:

Size SDD-5 SDDL-5	$n_{max}$ [min <sup>-1</sup> ]	$T_{Knom}$ Pb72 [Nm]	$T_{Kmax}$ Pb72 [Nm]	$T_{Knom}$ Pb82 [Nm]	$T_{Kmax}$ Pb82 [Nm]	$T_{Knom}$ VkR [Nm]	$T_{Kmax}$ VkR [Nm]	$T_{Knom}$ Vk60D [Nm]	$T_{Kmax}$ Vk60D [Nm]	$T_{Knom}$ VkB [Nm]	$T_{Kmax}$ VkB [Nm]
100	7250	40	120	70	210	130	390	195	585	76	228
125	6000	70	210	128	385	250	750	370	1110	140	420
145	5250	120	360	220	660	400	1200	600	1800	240	720
170	4500	180	540	340	1020	630	1900	950	2850	370	1110
200	3750	330	990	590	1770	1100	3300	1650	4950	640	1920
230	3250	500	1500	900	2700	1700	5150	2580	7740	980	2940
260	3000	800	2400	1400	4200	2650	7950	3980	11940	1530	4590
300	2500	1180	3540	2090	6270	3900	11700	5850	17550	2280	6840
360	2150	1940	5820	3450	10350	6500	19500	9700	29100	3760	11280
400	1900	2670	8010	4750	14250	8900	26700	13350	40050	5180	15540

- Pb72 = buffer ring of - 72 Shore(A) / black
- Pb82 = buffer ring of - 82 Shore(A) / black
- VkR = buffer ring of Polyurethane / red
- Vk60D = buffer ring of Polyurethane / white-beige
- VkB = buffer ring of Polyurethane / blue

Size SDD-5 SDDL-5	d <sub>1</sub> max [mm]	D <sub>1</sub> [mm]	D <sub>2</sub> [mm]	L [mm]	L <sub>1</sub> [mm]	L <sub>2</sub> [mm]	l <sub>1</sub> [mm]	S [mm]	z x M x Ls	m undrilled [kg]
100 100 L	45	105	65	151 273	53	56	49,0 110,0	5	9 x M8 x 20	5,3 8,5
125 125 L	53/55	126	75/80	170 278	58	61	56,0 110,0	5	9 x M10 x 25	8,4 / 8,8 12,1 / 13,1
145 145 L	60 / 65	145	85/92	189 288	68	71	60,5 110,0	5	9 x M12 x 30	12,6 / 13,3 17,0 / 18,5
170 170 L	75	170	110	217 348	68	71	74,5 140,0	5	12 x M12 x 30	19,9 29,7
200 200 L	95	200	135	274 417	77	81	98,5 170,0	6	12 x M14 x 30	35,3 51,3
230 230 L	110	230	160	301 421	81	86	110,0 170,0	7	15 x M14 x 35	52,5 71,4
260 260 L	125	260	180	321 516	96	101	112,5 210,0	8	15 x M16 x 40	71,5 110,5
300 300 L	140	300	200	376 533	113	118	131,5 210,0	8	15 x M20 x 50	109,0 147,8
360 360 L	160	360	225	469 625	125	130	172,0 250,0	8	12 x M24 x 55	179,8 228,5
400 400 L	160	400	225	469 625	125	130	172,0 250,0	8	14 x M24 x 55	197,7 246,3

The torques  $T_{Knom}$  and  $T_{Kmax}$  are valid for:

- Ambient temperatures of  $-30^{\circ}\text{C}$  up to  $+30^{\circ}\text{C}$  for Polyurethane (Vk),
- Ambient temperatures of  $-30^{\circ}\text{C}$  up to  $+60^{\circ}\text{C}$  for Perbunan (Pb)
- Operation within the range of the specified alignment values.

For determining the size of the coupling according to DIN 740, part 2, (or to Product Paper & Tech Paper "Elastomer Jaw Couplings") various factors have to be taken into account:

- the temperature factor  $S_U$  in case of higher temperatures,
- the start-up factor  $S_z$  depending on the frequency of starts,
- the shock factor  $S_A, S_L$  depending on the service conditions.

For circumferential speeds above 22 m/s, referred to the nominal size of the coupling, we recommend balancing the steel parts of the coupling.

## 7 Installation

### 7.1 To be observed prior to installation



- **Danger of injuries!**
  - **Disconnect the drive before carrying out any work on the coupling!**
  - **Secure the drive against unintentional re-start and rotation!**
  - **Incorrectly tightened bolts can cause serious personal injuries and property damages!**
  - **If possible, assemble the coupling outside of the danger zone. Take care that suitable transportation means are at disposal and that the transportation ways are free of obstacles. Do not use tools containing iron when mounting the parts in explosive areas!**
  - **In compliance with accident prevention regulations, you are obliged to protect all freely rotating parts by means of permanently installed guards/ covers against unintentional contact and falling down objects.**
  - **To avoid sparks, the covers for couplings used should be made of stainless steel!**
  - **As a minimum, the covers have to fulfil the requirements of protection type IP2X.**
  - **The covers have to be designed to prevent dust from depositing on the coupling.**
  - **The cover must not contact the coupling or impair the proper function of the coupling.**
- 
- Make sure that the speeds, torques and ambient temperatures as stated in chapter 6 'Technical Data' are not exceeded.
  - The maximum permissible bore diameters must not be exceeded.
  - Check whether the shaft-hub connections safely transmit the occurring operating torques.
  - The standard tolerance of RINGFEDER® TNS for finish bores is fit H7.
  - Standard keyways comply with DIN 6885, sheet 1.
  - Check the dimensions and tolerances of shafts, hub bores, keys and keyways.
  - Set screws as required.



## 7.2 Finish Bores

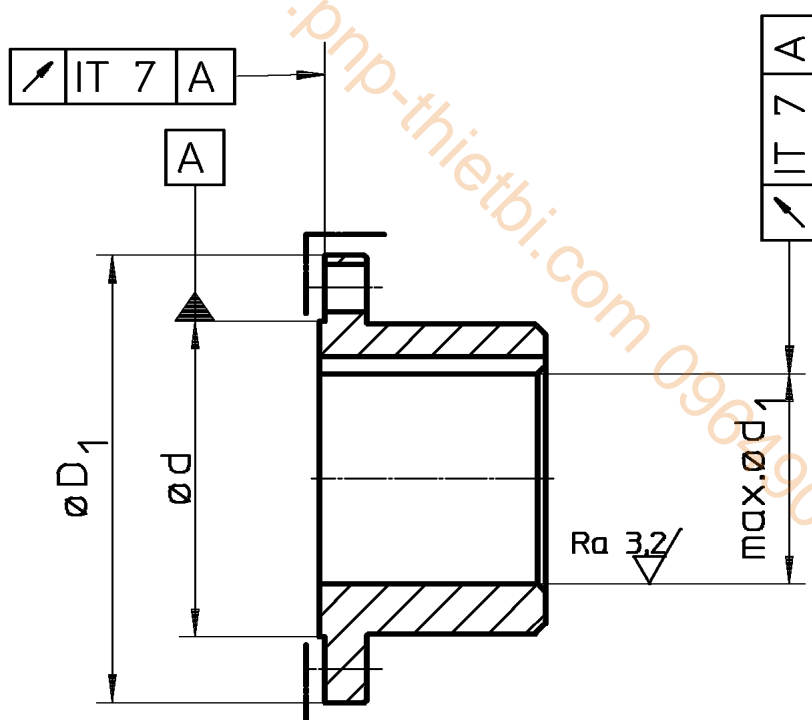
The following procedure has to be observed to produce a finish bore in a flange hub:

- Clean and remove all preservatives from the flange hub.
- Mount the flange hub between the surfaces marked with  $\lrcorner$  and carefully align the flange hub.
- The values for  $\varnothing d_{1max}$  listed in table 1 are valid for keyed connections according to DIN 6885/1 and must not be exceeded.
- Select the bore fit so that an interference fit such as H7/m6 results when mating it with the shaft tolerance.
- Axially lock the hub, for example by means of a setscrew on the back of the hub above the keyway

Consult RINGFEDER POWER TRANSMISSION in case of other shaft-hub connections.



- **The stated maximum bore diameters are valid for keyed connections according to DIN 6885/1 and must not be exceeded.**
- **If these values are exceeded, the coupling can break.**
- **Flying off coupling fragments are a danger to life!**



### 7.3 Coupling Installation

- Remove the elastic buffer ring (Fig. 3, pos. 1).
- Prior to installation, carefully clean the bores of the flange hubs and the shaft ends. The surfaces must be clean, dry and free of grease.
- For larger couplings use suitable mounting tools and hoisting devices such as cranes or pulley blocks.
- Mount the flange hub complete with the claw rings attached in the proper position on the shaft ends (Fig. 3, pos.2).

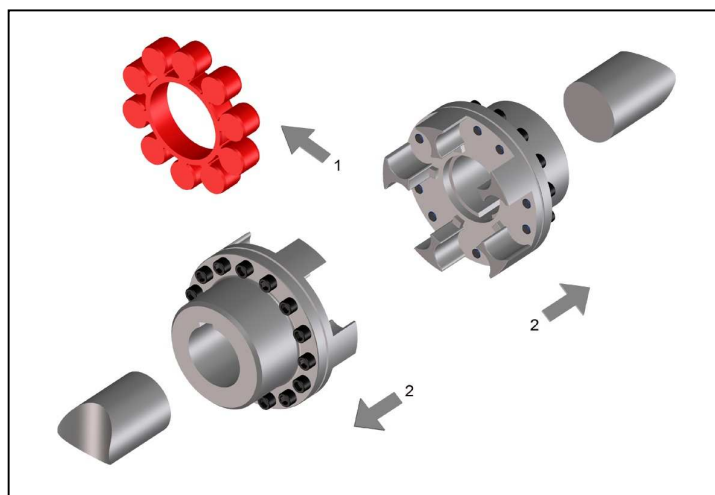


Fig. 3

**Note:**

To facilitate mounting, the hubs can be uniformly heated to 80°C to 120°C.



- **Warning!**
- **Always wear heat-resistant gloves to protect yourself against injuries due to hot coupling components!**

- Mount the hubs in such a manner that the shaft end is flush with the inner bore opening (Fig. 4). Protruding shaft ends prevent radial mounting and dismounting of the claw rings. Observe deviant agreements, which may exist!
- When tightening setscrews, secure them with an adhesive, such as e.g. Loctite 222, to prevent the screws from working loose and dropping out.

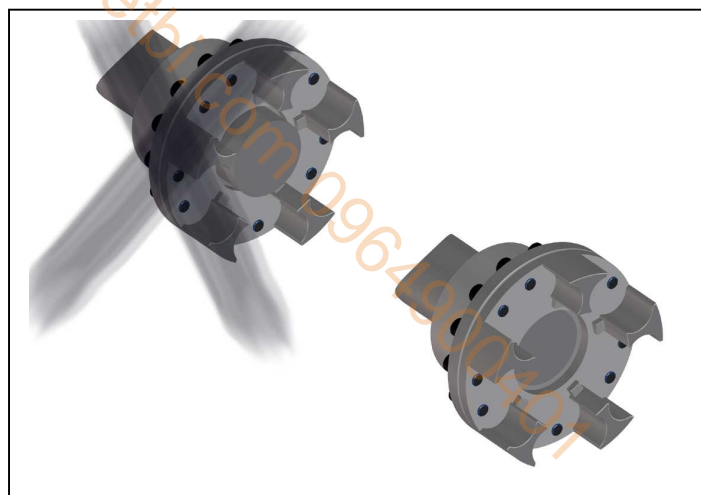


Fig. 4

### ATTENTION!

Let the hot hubs cool down to ambient temperature, before inserting the buffer ring.

- To facilitate mounting, the buffer ring can be coated with a lubricant (for ex. talcum for Perbunan Pb, or commercial roller bearing grease for polyurethane Vk).
- Install the buffer ring on one of the coupling halves.
- Push the shaft ends with the mounted coupling halves together. (Fig. 5).
- Align the coupling in accordance with the instructions given in chapter 8 'Coupling Alignment'.

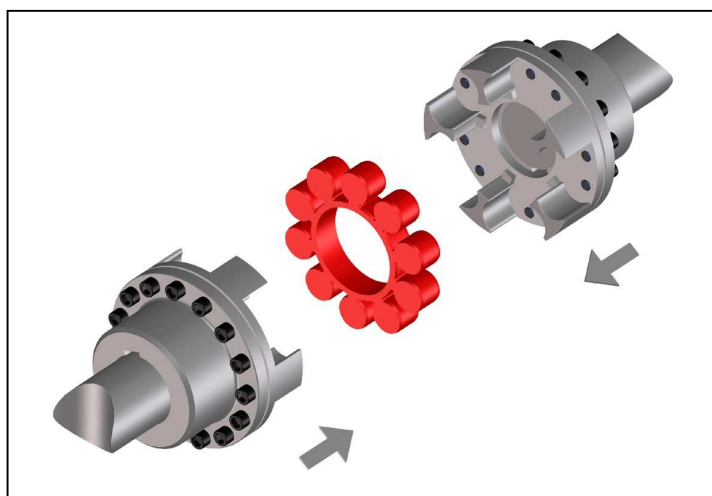


Fig. 5

### Note:

If the shaft distance is already aligned to the dismounting dimension of the intermediate part:

- At first, remove the claw rings from the flange hubs.
- Then draw the flange hubs separately onto the shafts.
- If setscrews are mounted, secure them with an adhesive such as Loctite 222 against working loose and dropping out.

### Attention!

The contact surfaces of the claw rings and flange hubs must be clean, dry and free of grease. Balanced parts are match marked to each other.

- Place the claw rings in their proper position as marked. When joining the parts pay attention that they do not get canted at the centering seat.
- Slightly tighten the screws in a uniform manner.
- Tighten the screws to the tightening torque  $M_A$  specified in table 2 (Fig. 6).
- Align the coupling according to the instructions given in chapter 8 'Coupling Alignment'.

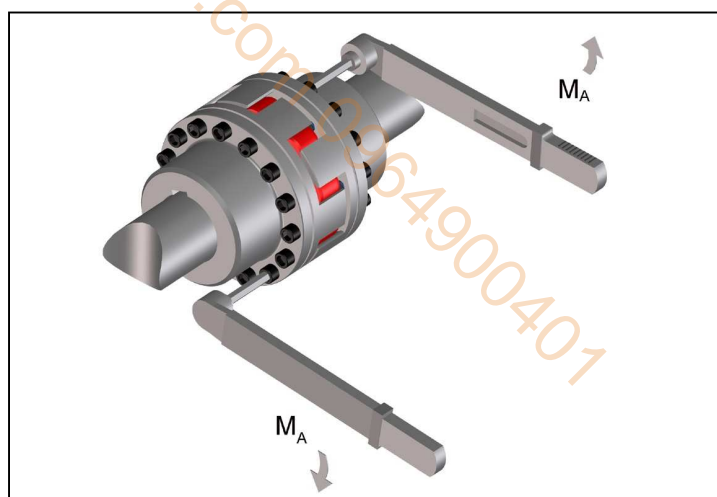


Fig. 6

**Table 2 Tightening torques  $M_A$  for the screwed connections of the claw rings:**

Size	100	125	145	170	200	230	260	300	360	400
DIN 912- 8.8	M8	M10	M12	M12	M14	M14	M16	M20	M24	M24
$M_A$ [Nm]	25	49	85	85	135	135	210	425	730	730

## 8 Coupling Alignment



- **Danger of Injuries!**
- **Disconnect the drive before carrying out any work on the coupling.**
- **Secure the drive against unintentional re-start and rotation!**
- **Note:**
- **Accurate alignment of the coupling prolongs the lifetime of the elastic buffer ring.**
- **It is of utmost importance to observe the recommended alignment values. Exceeding the permissible misalignment values results in coupling damages and failures!**

- When aligning the cold equipment take into account the expected thermal growth of the components, so that the permissible misalignment values for the coupling are not exceeded in operation.
- Be aware that the coupling under misalignment imposes restoring forces on the adjacent shafts and bearings. Take into account that the larger the misalignment, the greater the restoring forces will be.
- The displacements values indicated in the tables 3 to 5 are maximum permissible guide numbers.  
We recommend not to fully utilise these values during the alignment, so that in operation sufficient reserves remain for thermal expansions, foundation settlements etc.  
In special cases with high demands on quiet running or high rotating speeds it is possible that, in the three displacement levels, an alignment accuracy of  $\leq 0,1$  mm is necessary.
- If the coupling is mounted in a closed housing/ guard, so that alignment at a later point of time will no longer be possible, make sure that the geometry and the fitting accuracy of the contact surfaces ensure true alignment of the shafts within the specified tolerances during service.

## 8.1 Angular Misalignment

- Measure one complete revolution (360°) on the face of the outer diameter. Determine the largest deviation Kw1 and the smallest deviation Kw2 (Fig. 7). Calculate the angular misalignment:  
 $\Delta K_w = K_{w1} - K_{w2}$ .
- The values in table 3 are valid for a reference rotation speed of 1500 min<sup>-1</sup>.

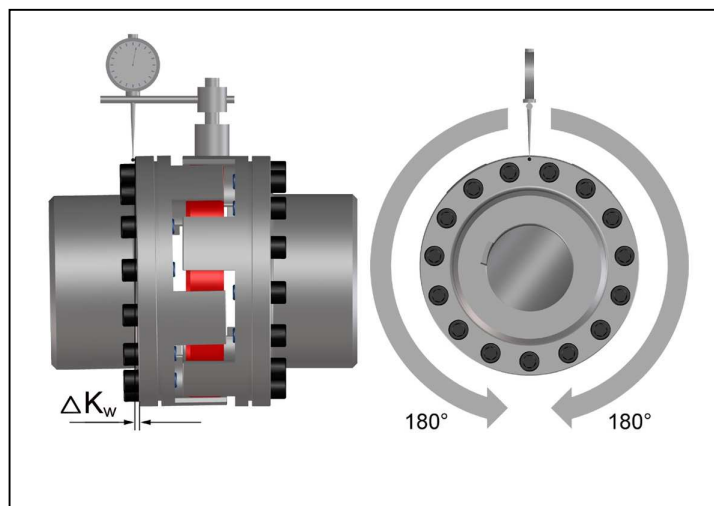


Fig. 7

**Table 3** Maximum permissible angular misalignment values:

Size	100	125	145	170	200	230	260	300	360	400
$\Delta K_{w_{max}}$ [mm]	0,4	0,6	0,6	0,6	0,6	0,6	0,6	0,6	0,6	0,6

## 8.2 Radial Misalignment

- Measure one complete revolution (360°). Determine the largest deviation Kr1 and the smallest deviation Kr2 (Fig. 8). Calculate the radial misalignment:  
 $\Delta K_r = 0,5 \times (K_{r1} - K_{r2})$ . Observe the preceding sign of the measured values.
- The values of table 4 are valid for a reference rotation speed of 1500 min<sup>-1</sup>.

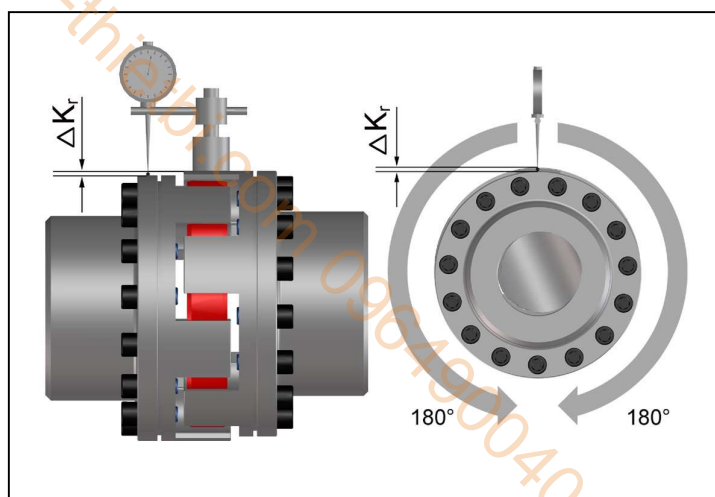


Fig. 8

**Table 4** Maximum permissible radial misalignment values:

Size	100	125	145	170	200	230	260	300	360	400
$\Delta K_{r_{max}}$ [mm]	0,6	0,7	0,7	0,7	0,8	0,8	0,9	0,9	1,0	1,0

### 8.3 Axial Misalignment

- Measure the axial claw overlap 'h' as shown in Fig. 9.
- The dimension of h must be in between the values  $h_{min}$  and  $h_{max}$  stated in table 5.

#### ATTENTION!

If the installation dimension remains over h, the intermediate pieces can not be lifted out!

Consult RINGFEDER POWER TRANSMISSION if larger axial misalignments are expected during operation.

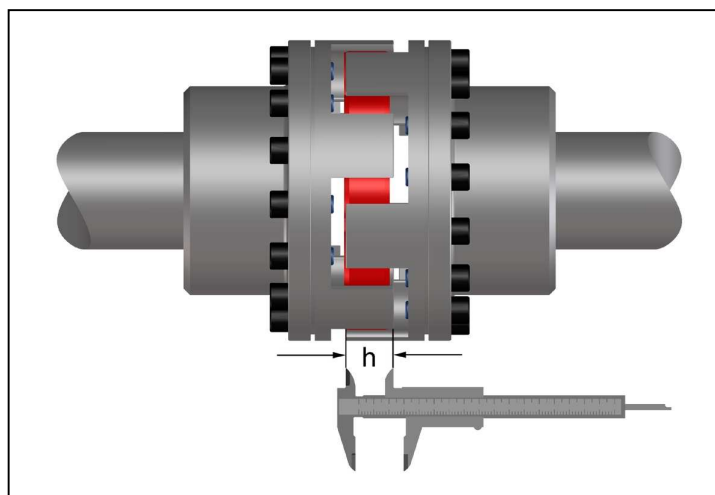


Fig. 9

**Table 5 Recommended axial alignment values:**

Size	100	125	145	170	200	230	260	300	360	400
$h_{max}$ [mm]	20	25	30	30	35	35	45	50	55	55
$h_{min}$ [mm]	18	22,5	27,5	27	32	31,5	41	46	51	51

## 9 Operation

When operating the coupling, its specific technical data have to be carefully observed (see chapter 6 'Technical Data'). These values must never be exceeded without the prior written approval by RINGFEDER POWER TRANSMISSION.

In order to ensure trouble-free and reliable performance of the coupling, the coupling has to be designed according to the selection specifications, e.g. according to DIN 740, part 2, (or acc. to Product Paper & Tech Paper "Elastomer Jaw Couplings"), with a service factor appropriate to the service conditions. Any change in the service conditions or service parameters always necessitates the verification of the coupling design.



- **Danger of injuries!**
- **Disconnect the drive before carrying out any work on the coupling!**
- **Secure the drive against unintentional re-start and rotation!**
- **Improperly tightened screws may cause parts to fly off what leads to most serious personal injuries and property damages!**
- **Before putting the coupling into operation, check the alignment and all screwed connections for correct tightening torque and firm fit!**
  
- **Before starting up the equipment, install all protective guards in order to avoid unintentional contact with freely moving or rotating parts.**
- **To avoid sparks, the covers for couplings used should be made of stainless steel!**
- **The covers have to comply with protection type IP2X as a minimum.**
- **The cover shall be designed to prevent dust from depositing on the coupling parts.**
- **The cover must not touch the coupling and impair the proper operation of the coupling.**

**While operating the coupling, pay attention to:**

- Changes in operation noises
- Occurring vibrations

### Attention!

- **Disconnect the drive immediately, if any irregularities are observed while operating the coupling!**
- Identify the cause for the problem using table 6 'Operation Faults and Possible Causes' and correct the fault.  
The listed problems are some examples to assist you in troubleshooting.
- **All the machinery components and operation modes have to be considered for the determination and correction of faults!**

**Table 6 Operation Faults and Possible Causes:**

<b>Trouble</b>	<b>Cause</b>	<b>Risk Warning</b>	<b>Correction</b>
Irregular running noises/ vibrations	Alignment fault	Strong heating of the coupling. Rash abrasion of the elastic buffers. Extended reaction forces to enclosed aggregates.	<ul style="list-style-type: none"> <li>- Disconnect drive</li> <li>- Remove cause for alignment fault</li> <li>- Re-align coupling</li> <li>- Inspect elastomer for wear</li> </ul>
	Elastomer worn out	Coupling claws clash together, risk of ignition due to spark formation. Extended reaction forces.	<ul style="list-style-type: none"> <li>- Disconnect drive</li> <li>- Check coupling components for damages and replace parts, if necessary</li> <li>- Replace elastomer</li> </ul>
	Unbalance	Strong heating of the coupling. Rash abrasion of the elastic buffers. Extended reaction forces.	<ul style="list-style-type: none"> <li>- Disconnect drive</li> <li>- Verify balance state of plant components and correct it, if necessary</li> <li>- Inspect elastomer for wear</li> </ul>
	Loose screw connections	Loose parts may fly away and cause severe damage.	<ul style="list-style-type: none"> <li>- Disconnect drive</li> <li>- Check coupling parts for damages, replace parts, if necessary</li> <li>- Verify alignment of coupling</li> <li>- Tighten screws to the specified tightening torque and secure them against working loose, if necessary,</li> <li>- Inspect elastomer for wear</li> </ul>
Premature wear of elastomer	Alignment fault	Strong heating of the coupling. Extended reaction forces to enclosed aggregates.	<ul style="list-style-type: none"> <li>- Disconnect drive</li> <li>- Remove cause for alignment fault</li> <li>- Re-align coupling</li> <li>- Inspect elastomer for wear</li> </ul>
	Unacceptable temperatures	Material properties of the elastic buffers deteriorate. The negotiability is derogated.	<ul style="list-style-type: none"> <li>- Disconnect drive</li> <li>- Replace elastomer</li> <li>- Re-align coupling</li> <li>- Adjust ambient temperature</li> </ul>
	Contact with aggressive products	Material properties of the elastic buffers deteriorate. The negotiability is derogated.	<ul style="list-style-type: none"> <li>- Disconnect drive</li> <li>- Check coupling parts for damages and replace parts, if necessary</li> <li>- Replace elastomer</li> <li>- Verify alignment of coupling</li> <li>- Prevent contact with aggressive products</li> </ul>



Trouble	Cause	Risk Warning	Correction
	Torsional vibrations in the drive line	Strong heating of the coupling. Rash abrasion of the elastic buffers. Extended reaction forces.	<ul style="list-style-type: none"> <li>- Disconnect drive</li> <li>- Analyse and eliminate cause for torsional vibrations</li> <li>- Check coupling parts for damages and replace parts, if necessary</li> <li>- Replace elastomer and consult RINGFEDER POWER TRANSMISSION concerning eventual use of another Shore-hardness</li> <li>- Verify coupling alignment</li> </ul>
Claw breakage	Wear limit of elastomer exceeded ====> contact with claws	Coupling is destroyed. Enclosed aggregates may be affected.	<ul style="list-style-type: none"> <li>- Disconnect drive</li> <li>- Replace coupling</li> <li>- Inspect the elastomer for wear at shorter intervals</li> </ul>
	Overload due to too high torque	Coupling is destroyed. Enclosed aggregates may be affected.	<ul style="list-style-type: none"> <li>- Disconnect drive</li> <li>- Verify coupling design in cooperation with RINGFEDER POWER TRANSMISSION</li> <li>- Replace coupling</li> <li>- Install larger coupling, if necessary</li> </ul>

## 9.1 Check of Direction of Rotation



- **Danger of Injuries!**
- **Disconnect the drive before carrying out any work on the coupling!**
- **Secure the drive against unintentional re-start and rotation!**
- **Improperly tightened screws may cause parts to fly off what leads to most serious personal injuries and property damages!**
- **Before putting the coupling into operation, check alignment and inspect all screwed connections for correct tightening torque and firm fit!**
- **Before starting up the equipment, install all protective guards in order to avoid unintentional contact with freely moving or rotating parts.**
- **To avoid sparks, the covers for couplings used should be made of stainless steel!**
  - **The covers have to comply with protection type IP2X as a minimum.**
  - **The cover shall be designed to prevent dust from depositing on the coupling parts.**
  - **The cover must not touch the coupling and impair the proper function of the coupling!**

- Remove the fastening elements of the claw rings.
- Push the claw rings (part 360) out of the centerings of the flange hubs (part 361 resp. 368) against the elastic buffer ring.
- Remove the claw rings together with the buffer ring. For larger couplings use appropriate mounting tools and lifting appliances such as e.g. cranes and pulley blocks.

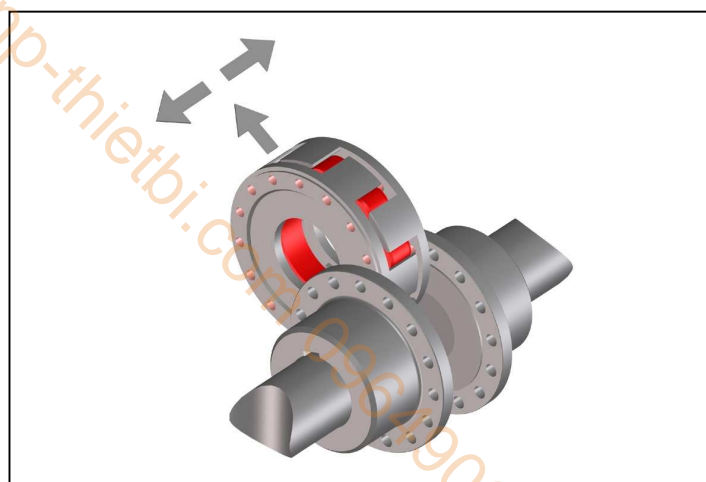


Fig. 10

- **Attention!**
- **Make sure that the shaft ends cannot move axially while checking the direction of rotation.**
- **The rotating coupling half must not contact the stationary coupling half!**

- Mount a new intermediate ring after having checked the direction of rotation.
- To facilitate mounting, the new buffer ring can be coated with a lubricant before installing it (e.g. talcum).

**Attention!**

The contact surfaces of the claw rings and flange hubs must be clean, dry and free of grease. Balanced parts are match marked to each other.

- Place the claw rings in their proper positions as marked. Take care that the parts do not get canted at the centering seat when joining them.
- Slightly tighten the screws in a uniform manner.
- Tighten the screws to the proper torque  $M_A$  specified in table 7 (Fig. 11).
- Check the alignment according to the instructions given in chapter 8 'Coupling Alignment'.

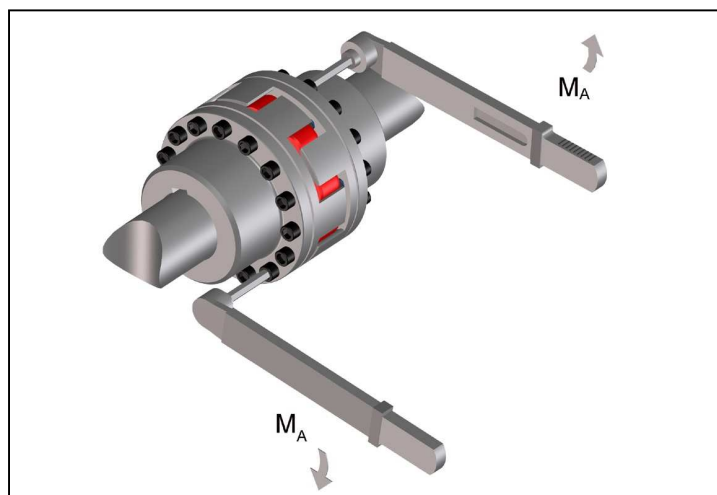


Fig. 11

**Table 7 Tightening torques  $M_A$  for the screwed connections of the claw rings:**

Size	100	125	145	170	200	230	260	300	360	400
DIN 912- 8.8	M8	M10	M12	M12	M14	M14	M16	M20	M24	M24
$M_A$ [Nm]	25	49	85	85	135	135	210	425	730	730

## 10 Maintenance

The flexible coupling RINGFEDER® TNS SDD-5 / TNS SDDL-5 only requires little maintenance during operation. The elastic buffer ring is subject to wear. The time at which the wear limit of the elastic buffer ring is reached depends on the service parameters and application conditions.

On the occasion of routine inspections or maintenance of the equipment, check:

- alignment of coupling,
- state of the elastomer, and
- remove dust deposits from coupling parts and buffer ring.

### 10.1 Wear Inspection on the Buffer Ring



- **Danger of injuries!**
- **Disconnect the drive before carrying out any work on the coupling!**
- **Secure the drive against unintentional re-start and rotation!**

Perform a visual inspection and a wear inspection of the buffer ring after 2000 hours, or after 3 months at latest, after the first start-up of the equipment. If only minor wear or no wear is observed, further inspections of the plant can be carried out at regular intervals of 4000 hours, however, at least once a year, if the operating modes and conditions of the plant remain unchanged. However, should you observe excessive wear on the occasion of this first inspection already, check whether the cause for the problem is listed in table 6 "Operation faults and possible causes". In such a case, the inspection intervals must be adapted to the prevailing service conditions.

On the occasion of maintenance operations on the drive equipment, however, after 3 years at latest:

- Replace the elastic buffer ring.
- If the wear limit has been reached or exceeded, replace the buffer ring immediately, irrespective of the inspection intervals of the equipment.
- Check coupling alignment.
- Remove dust deposits from coupling components and buffer ring.

## 10.2 Wear inspection while the equipment is at standstill

- To inspect the wear of the elastomer, the plant has to be shut down and must be unloaded. Turn the coupling halves in such a manner that the claws rest without clearance at the buffer of the elastic ring.
- Measure the claw distance 'V' in circumferential direction across the buffers to which the claws rest on both sides (see fig. 12). The adjacent buffers do not contact the claws.
- Repeat this measurement on the adjacent buffers after having turned the couplings halves against each other in opposed direction.
- If the dimension 'V' attains or exceeds the value ' $V_{min}$ ' listed in table 8 for the individual coupling sizes, the elastic buffer ring has to be replaced immediately.

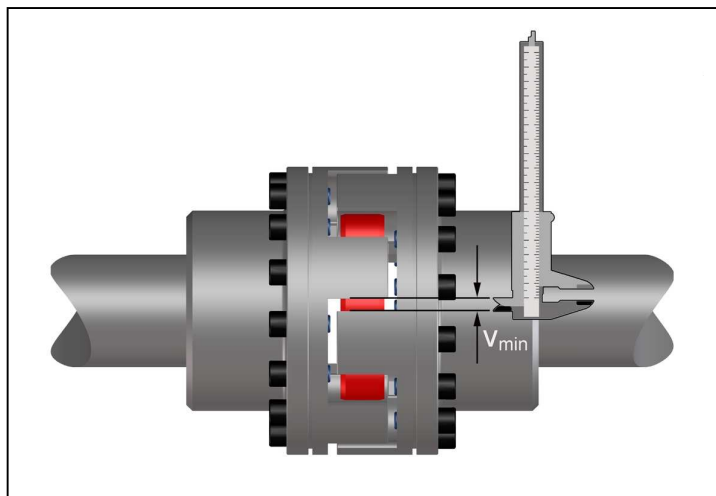


Fig. 12

**Table 8** Distance dimension  $V_{min}$  for wear measurement while the plant is at standstill

Size	100	125	145	170	200	230	260	300	360	400
$V_{min}$ [mm]	11,4	12,7	13,8	13,6	14,3	15,4	15,3	12,1	12,1	15,4

Upon completion of the wear measurement, re-install all the protective devices and covers.

### 10.3 Replacement of the elastic buffer ring



- **Danger of injuries!**
- **Disconnect the drive before carrying out any work on the coupling!**
- **Secure the drive against unintentional re-start and rotation!**

- Remove the fastening elements of the claw rings.
- Push the claw rings (part) 360) out of the centerings of the flange hubs against the elastic buffer ring.
- Remove the intermediate complete with the elastic ring. For larger coupling sizes use appropriate mounting tools and lifting appliances such as cranes or pulley blocks.
- To facilitate mounting, the new elastic buffer ring can be coated with a lubricant before installing it (e.g. talcum for Perbunan Pb, or commercial roller bearing grease for Polyurethane Vk).
- Mount a new buffer ring of correct material and size.

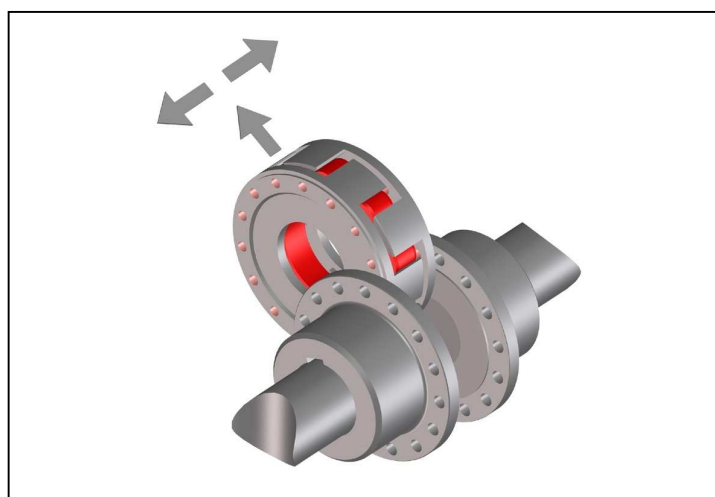


Fig. 13

#### Attention!

**The contact surfaces of claw rings and flange hubs must be clean, dry and free of grease. Balanced parts are match marked to each other.**

- Place the intermediate parts in their proper position as marked. Make sure that the parts do not get canted at the centering seats when joining them.
- Slightly tighten the screws.
- Tighten the screwed connections of the claw rings to the proper torque  $M_A$  specified in table 2 (Fig. 6).
- Check the alignment of the coupling according to the instructions given in chapter 8 'Coupling Alignment'.

### Warning!



- Before putting the equipment into service, all safety guards must be installed to prevent unintentional contact with freely rotating parts.
- To avoid sparks, the covers for couplings used should be made of stainless steel.
- The covers have to fulfil the requirements of protection type IP2X as a minimum.
- The covers have to be designed to prevent dust from depositing on the coupling parts.
- The cover must not touch the coupling and impair the proper operation of the coupling.

We do not assume any responsibility or warranty for any damages resulting from the use of accessories or spare parts, which have not originally been manufactured by RINGFEDER POWER TRANSMISSION.

---

## 11 Disposal

Disposal of the parts must be arranged in accordance with the regulations and laws of the country where the equipment is installed.

**RINGFEDER POWER TRANSMISSION GMBH**

Werner-Heisenberg-Straße 18, D-64823 Groß-Umstadt, Germany · Phone: +49 (0) 6078 9385-0 · Fax: +49 (0) 6078 9385-100  
E-mail: sales.international@ringfeder.com

**RINGFEDER POWER TRANSMISSION TSCHAN GMBH**

Zweibrücker Straße 104, D-66538 Neunkirchen, Germany · Phone: +49 (0) 6821 866-0 · Fax: +49 (0) 6821 866-4111  
E-mail: sales.tschan@ringfeder.com

**RINGFEDER POWER TRANSMISSION USA CORPORATION**

165 Carver Avenue, Westwood, NJ 07675, USA · Toll Free: +1 888 746-4333 · Phone: +1 201 666 3320 · Fax: +1 201 664 6053  
E-mail: sales.usa@ringfeder.com

**HENFEL INDÚSTRIA METALÚRGICA LTDA.**

Av. Major Hilário Tavares Pinheiro, 3447 · CEP 14871 300 · Jaboticabal - SP - Brazil · Phone: +55 (16) 3209-3422  
E-mail: vendas@henfel.com.br

**RINGFEDER POWER TRANSMISSION INDIA PRIVATE LIMITED**

Plot No. 4, Door No. 220, Mount - Poonamallee Road, Kattupakkam, Chennai – 600 056, India  
Phone: +91 (0) 44-2679 1411 · Fax: +91 (0) 44-2679 1422 · E-mail: sales.india@ringfeder.com

**KUNSHAN RINGFEDER POWER TRANSMISSION COMPANY LIMITED**

NO. 406 Jiande Road, Zhangpu 215321, Kunshan, Jiangsu Province, China  
Phone: +86 (0) 512-5745-3960 · Fax: +86 (0) 512-5745-3961 · E-mail: sales.china@ringfeder.com

Partner for Performance  
[www.ringfeder.com](http://www.ringfeder.com)

