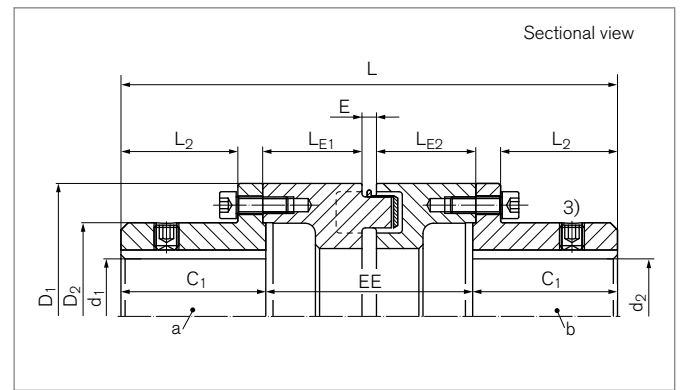


Elastomer Jaw Couplings

RINGFEDER® TNM H

Multi-part design, to remove the intermediate spacer.
 Disassembly of the pump impeller without axial movement
 of the driven parts



Identifier	Size	$T_{KNPb72^{(2)}}$	$T_{KNPb82^{(2)}}$	n_{max}	d_{1kmax}	d_{2kmax}	D_1	D_2	C_1
		Nm	Nm	1/min	mm	mm	mm	mm	mm
WN0706-100	67	22	35	5000	30	30	67	45	30
WN0706-120	67	22	35	5000	30	30	67	45	30
WN0706-140	67	22	35	5000	30	30	67	45	30
WN0708-100	82	48	75	5000	35	35	82	53	40
WN0708-120	82	48	75	5000	35	35	82	53	40
WN0708-140	82	48	75	5000	35	35	82	53	40
WN0709-100	97	96	150	5000	45	45	97	66	50
WN0709-120	97	96	150	5000	45	45	97	66	50
WN0709-140	97	96	150	5000	45	45	97	66	50
WN0711-100	112	150	230	5000	50	50	112	79	60
WN0711-120	112	150	230	5000	50	50	112	79	60
WN0711-140	112	150	230	5000	50	50	112	79	60
WN0712-100	128	250	380	5000	60	60	128	90	70
WN0712-120	128	250	380	5000	60	60	128	90	70
WN0712-140	128	250	380	5000	60	60	128	90	70
WN0712-180	128	250	380	5000	60	60	128	90	70
WN0714-100	148	390	600	4500	65	65	148	107	80
WN0714-140	148	390	600	4500	65	65	148	107	80
WN0714-180	148	390	600	4500	65	65	148	107	80
WN0716-100	168	630	980	4000	75	75	168	124	90
WN0716-140	168	630	980	4000	75	75	168	124	90
WN0716-180	168	630	980	4000	75	75	168	124	90
WN0719-100	194	1050	1650	3500	85	85	194	140	100
WN0719-140	194	1050	1650	3500	85	85	194	140	100
WN0719-180	194	1050	1650	3500	85	85	194	140	100
WN0719-250	194	1050	1650	3500	85	85	194	140	100
WN0721-100	214	1500	2400	3000	95	95	214	157	110

To continue see next page

Elastomer Jaw Couplings RINGFEDER® TNM H

Identifier	Size	T _{KNPb72} ²⁾	T _{KNPb82} ²⁾	n _{max}	d _{1kmax}	d _{2kmax}	D ₁	D ₂	C ₁
		Nm	Nm	1/min	mm	mm	mm	mm	mm
WN0721-140	214	1500	2400	3000	95	95	214	157	110
WN0721-180	214	1500	2400	3000	95	95	214	157	110
WN0721-250	214	1500	2400	3000	95	95	214	157	110
WN0724-100	240	2400	3700	2750	110	110	240	179	120
WN0724-140	240	2400	3700	2750	110	110	240	179	120
WN0724-180	240	2400	3700	2750	110	110	240	179	120
WN0724-250	240	2400	3700	2750	110	110	240	179	120
WN0726-100	265	3700	5800	2500	120	120	265	198	140
WN0726-140	265	3700	5800	2500	120	120	265	198	140
WN0726-180	265	3700	5800	2500	120	120	265	198	140
WN0726-250	265	3700	5800	2500	120	120	265	198	140
WN0729-140	295	4900	7550	2250	130	130	295	214	150
WN0729-180	295	4900	7550	2250	130	130	295	214	150
WN0729-250	295	4900	7550	2250	130	130	295	214	150
WN0733-140	330	6400	9900	2000	150	150	330	248	160
WN0733-180	330	6400	9900	2000	150	150	330	248	160
WN0733-250	330	6400	9900	2000	150	150	330	248	160

Identifier	Size	L	L ₂	L _{E1}	L _{E2}	E	F _E	EE	GW _{ZW}	GW _{ub}
		mm	mm	mm	mm	mm	mm	mm	kg	kg
WN0706-100	67	160	20	48,5	48,5	5	+/- 0,5	100	1,4	2,5
WN0706-120	67	180	20	48,5	68,5	5	+/- 0,5	120	1,7	2,8
WN0706-140	67	200	20	68,5	68,5	5	+/- 0,5	140	2,0	3,1
WN0708-100	82	180	28	48,5	48,5	5	+/- 1,0	100	2,0	4,0
WN0708-120	82	200	28	48,5	68,5	5	+/- 1,0	120	2,4	4,0
WN0708-140	82	220	28	68,5	68,5	5	+/- 1,0	140	2,8	4,9
WN0709-100	97	200	37	48,5	48,5	5	+/- 1,0	100	2,8	6,4
WN0709-120	97	220	37	48,5	68,5	5	+/- 1,0	120	3,5	7,0
WN0709-140	97	240	37	68,5	68,5	5	+/- 1,0	140	4,1	7,7
WN0711-100	112	220	46,5	48	48	7	+/- 1,0	100	3,8	9,5
WN0711-120	112	240	46,5	48	68	7	+/- 1,0	120	4,6	10,3
WN0711-140	112	260	46,5	68	68	7	+/- 1,0	140	5,4	11,1
WN0712-100	128	240	56,5	48	48	7	+/- 1,0	100	4,8	13,2
WN0712-120	128	260	56,5	48	68	7	+/- 1,0	120	5,8	14,2
WN0712-140	128	280	56,5	68	68	7	+/- 1,0	140	6,7	15,1
WN0712-180	128	320	56,5	88	88	7	+/- 1,0	180	8,6	17,0
WN0714-100	148	260	64,5	48	48	7	+/- 1,0	100	6,0	18,4
WN0714-140	148	300	64,5	48	88	7	+/- 1,0	140	8,4	20,8
WN0714-180	148	340	64,5	88	88	7	+/- 1,0	180	10,8	23,3
WN0716-100	168	280	73,5	48	48	7	+/- 1,5	100	7,6	26,0
WN0716-140	168	320	73,5	48	88	7	+/- 1,5	140	10,5	28,9
WN0716-180	168	360	73,5	88	88	7	+/- 1,5	180	13,3	31,8
WN0719-100	194	300	82,5	48	48	7	+/- 1,5	100	9,4	35,7
WN0719-140	194	340	82,5	48	88	7	+/- 1,5	140	12,9	39,1
WN0719-180	194	380	82,5	88	88	7	+/- 1,5	180	16,3	42,6
WN0719-250	194	450	82,5	123	123	7	+/- 1,5	250	22,4	48,7
WN0721-100	214	320	90,5	48	48	7	+/- 1,5	100	11,5	47,6
WN0721-140	214	360	90,5	48	88	7	+/- 1,5	140	15,7	51,8
WN0721-180	214	400	90,5	88	88	7	+/- 1,5	180	19,9	56,0
WN0721-250	214	470	90,5	123	123	7	+/- 1,5	250	27,2	63,3

To continue see next page

Elastomer Jaw Couplings RINGFEDER® TNM H

Identifier	Size	L	L ₂	L _{E1}	L _{E2}	E	F _E	EE	Gw _{ZW}	Gw _{ub}
		mm	mm	mm	mm	mm	mm	mm	kg	kg
WN0724-100	240	340	98	48	48	8	+/- 1,5	100	15,8	66,5
WN0724-140	240	380	98	48	88	8	+/- 1,5	140	19,9	70,6
WN0724-180	240	420	98	88	88	8	+/- 1,5	180	24,0	74,7
WN0724-250	240	490	98	123	123	8	+/- 1,5	250	31,8	82,5
WN0726-100	265	380	117	48	48	8	+/- 1,5	100	19,6	91,1
WN0726-140	265	420	117	48	88	8	+/- 1,5	140	23,6	95,1
WN0726-180	265	460	117	88	88	8	+/- 1,5	180	27,6	99,1
WN0726-250	265	530	117	123	123	8	+/- 1,5	250	38,0	109,5
WN0729-140	295	440	122	67	67	10	+/- 2,5	140	31,2	123,5
WN0729-180	295	480	122	87	87	10	+/- 2,5	180	37,9	130,2
WN0729-250	295	550	122	122	122	10	+/- 2,5	250	47,9	140,2
WN0733-140	330	460	128	67	67	10	+/- 2,5	140	40,9	171,7
WN0733-180	330	500	128	87	87	10	+/- 2,5	180	49,7	180,5
WN0733-250	330	570	128	122	122	10	+/- 2,5	250	64,5	195,3

- 1) Mass information for unbored coupling parts
- 2) Attention on peak load – see chapter „RINGFEDER® TNM Basic information“ in Product Paper & Tech Paper „RINGFEDER® Elastomer Jaw Couplings“
- 3) Set screw on demand

Explanation

T_{KNPb72} = Coupling nominal torque by using the elastic element Pb72	D₁ = Outer diameter	F_E = Tolerance of the gap width E
T_{KNPb82} = Coupling nominal torque by using the elastic element Pb82	D₂ = Outer diameter hub	EE = Distance of the hubs
n_{max} = Max. rotation speed	C₁ = Guided length in hub bore	Gw_{ZW} = Spacer weight
d_{1kmax} = Max. bore diameter d ₁ with keyway acc. to DIN 6885-1	L = Total length	Gw_{ub} = Weight, unbored
d_{2kmax} = Max. bore diameter d ₂ with keyway acc. to DIN 6885-1	L₂ = Length on the hub	
	L_{E1} = Spacer Length	
	L_{E2} = Spacer Length	
	E = Gap width between left and right component	

Ordering example

Identifier	Size	d _{1k}	d _{2k}	Buffer identifier (optional) ⁴⁾	Further details
WN0714-180	148	65	50	Pb82	*

- 4) Details on elastomer materials see chapter „Introduction“ and „RINGFEDER® TNM Basic information“ in Product Paper & Tech Paper „RINGFEDER® Elastomer Jaw Couplings“
- 5) Without any other specification, we deliver as a standard: with set screws and keyway acc. to DIN 6885-1, keyway side fit P9, bore tolerance H7

Further information on
RINGFEDER® TNM H
 on www.ringfeder.com

Disclaimer of liability

All technical details and notes are non-binding and cannot be used as a basis for legal claims. The user is obligated to determine whether the represented products meet his requirements. We reserve the right carry out modifications at any time in the interests of technical progress.