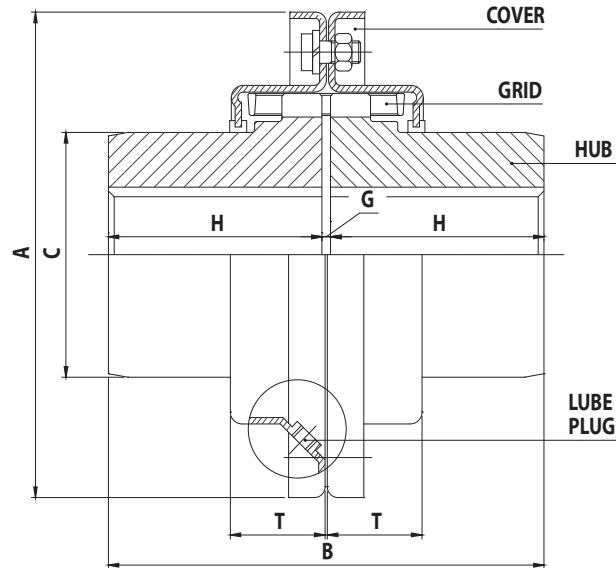


Dimensions

Type T20 (Vertical Steel Cover)



SIZE	MAX SPEED (RPM)	BASIC TORQUE (Nm)	BORE DIA (mm)		DIMENSIONS(mm)					G			CPLG WT (kg)	LUBE WT (kg)
			MAX	MIN	A	B	C	H	T	MIN	NORMAL	MAX		
1020	6,000	52	30	12.7	111.1	98.0	39.7	47.5	24.4	1.5	3	4.5	1.7	0.03
1030	6,000	149	36	12.7	120.65	98.0	49.2	47.5	25.2	1.5	3	4.5	2.3	0.03
1040	6,000	249	44	12.7	128.5	104.6	57.1	50.8	26	1.5	3	4.5	3.1	0.05
1050	6,000	435	50	12.7	147.6	123.6	66.7	60.3	31.4	1.5	3	4.5	4.9	0.05
1060	6,000	684	57	19.1	162	130.0	76.2	63.5	32.2	1.5	3	4.5	6.6	0.09
1070	5,500	994	65	19.1	173	155.4	87.5	76.2	33.8	1.5	3	4.5	9.4	0.11
1080	4,750	2,051	79	27.0	200	180.8	104.8	88.9	44.1	1.5	3	4.5	16	0.17
1090	4,000	3,728	95	27.0	231.77	199.8	123.8	98.4	47.3	1.5	3	6.0	23.7	0.25
1100	3,250	6,276	107	41.3	266.7	245.7	142.0	120.6	60.2	1.5	4.5	9.5	40.1	0.43
1110	3,000	9,321	117	41.3	285.75	258.5	160.3	127.0	63.3	1.5	4.5	9.5	51.7	0.51
1120	2,700	13,671	136	60.3	319	304.4	179.4	149.2	73.75	1.5	6	12.5	78.3	0.73
1130	2,400	19,885	165	66.7	377.8	371.6	217.5	161.9	75.4	1.5	6	12.5	114.8	0.91
1140	2,200	28,585	184	66.7	416	372	254.0	183	78.5	1.5	6	12.5	174.5	1.13
1150	2,000	39,771	203	108.0	479	372	269	183	106	1.5	6	12.5	238.0	1.95
1160	1,750	55,927	228	120.7	532	402.2	305	198.1	114	1.5	6	12.5	322.8	2.81
1170	1,600	74,570	279	133.4	590	437.8	356	215.9	119	1.5	6	12.5	448.8	3.49
1180	1,400	103,381	311	152.4	630	483.6	394	238.8	129	1.5	6	12.5	591	3.76
1190	1,300	136,712	339	152.4	685	524.2	437	259.1	144	1.5	6	12.5	761	4.40
1200	1,100	186,425	361	177.8	737	564.8	497.8	279.4	145	1.5	6	12.5	1021	5.62