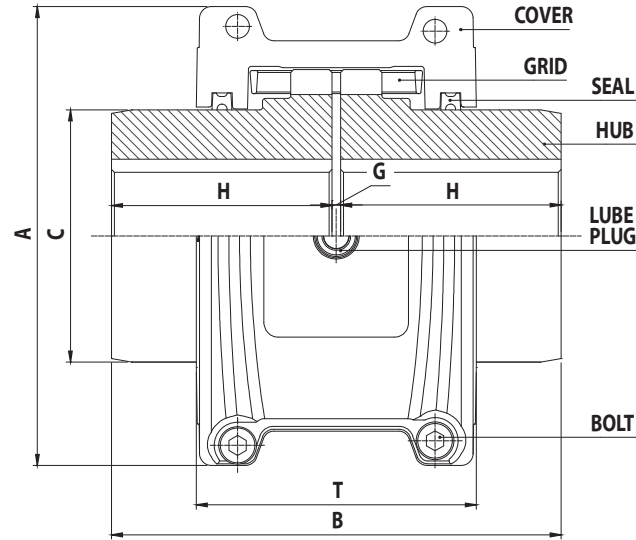


Dimensions

Type T10 (Horizontal Split Aluminum Cover)



SIZE	MAX SPEED (RPM)	BASIC TORQUE (Nm)	BORE DIA(mm)		DIMENSIONS(mm)					G			CPLG WT(kg)	LUBE WT(kg)
			MAX	MIN	A	B	C	H	T	MIN	NORMAL	MAX		
1020	4,500	52	30	12.7	97	98.0	39.7	47.5	66.58	1.5	3.0	4.5	1.7	0.03
1030	4,500	149	36	12.7	106.1	98.0	49.2	47.5	68.3	1.5	3.0	4.5	2.3	0.03
1040	4,500	249	44	12.7	114.6	104.6	57.1	50.8	69.6	1.5	3.0	4.5	3.1	0.05
1050	4,500	435	50	12.7	135.6	123.6	66.7	60.3	81.1	1.5	3.0	4.5	5.1	0.05
1060	4,350	684	57	19.1	148.1	130.0	76.2	63.5	93.78	1.5	3.0	4.5	7.0	0.09
1070	4,125	994	65	19.1	158.6	155.4	87.3	76.2	96.74	1.5	3.0	4.5	9.9	0.11
1080	3,600	2,051	79	27.0	190.3	180.8	104.8	88.9	115.47	1.5	3.0	6.0	17.0	0.17
1090	3,600	3,728	95	27.0	210.5	199.8	123.7	98.4	122.56	1.5	3.0	6.0	24.9	0.25
1100	2,400	6,276	107	41.3	251	245.7	142.0	120.6	155.05	1.5	4.5	9.5	40.9	0.43
1110	2,250	9,321	117	41.3	269.5	258.5	160.3	127.0	161.03	1.5	4.5	9.5	52.4	0.51
1120	2,025	13,671	136	60.3	308.7	304.4	179.4	149.2	191.39	1.5	6.0	12.5	80.5	0.73
1130	1,800	19,885	165	66.7	346.8	329.8	217.5	161.9	195.09	1.5	6.0	12.5	118.5	0.91
1140	1,650	28,585	184	66.7	384.8	371.6	254.0	182.8	200.89	1.5	6.0	12.5	179	1.13
1150	1,500	39,771	203	108.0	453.54	371.8	269.0	182.9	276.07	1.5	6.0	12.5	234.0	1.95
1160	1,350	55,927	228	120.7	503	402.2	305.0	198.1	280	1.5	6.0	12.5	317.0	2.81
1170	1,225	74,570	279	133.4	568.4	437.8	356.0	215.9	309.4	1.5	6.0	12.5	448.0	3.49
1180	1,100	103,381	311	152.4	631.6	483.6	394.0	238.8	322	1.5	6.0	12.5	619.0	3.76
1190	1,050	136,712	339	152.4	677	524.2	437.0	259.0	331.56	1.5	6.0	12.5	776.0	4.40
1200	900	186,425	361	177.8	760	564.8	497.8	279.4	359.48	1.5	6.0	12.5	1,057.0	5.62