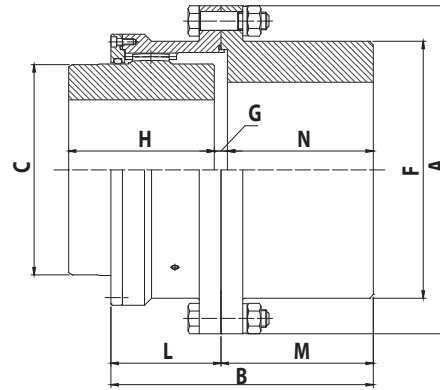
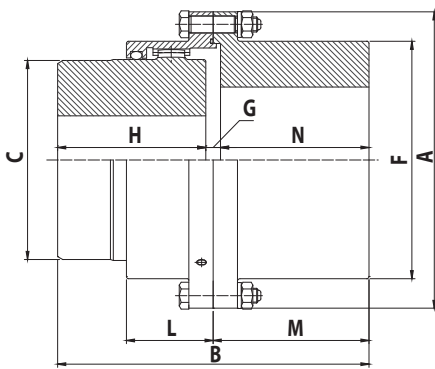


- Type PSE (Gear Double), PCE (Gear Double Large)



SIZE	MAX SPEED (RPM)	BASIC TORQUE (Nm)	BORE DIA (mm)		Dimensions(mm)									WEIGHT (kg)	LUBE WT (kg)	PSE-H (Nm)
			Max	Min	A	B	C	F	H	L	M	G				
			C	F												
PSE100	3,600	254	28	40	16	100	88	46	67	40	34	44	8	3	0.03	802
PSE112	3,600	562	40	50	16	112	108	58	79	50	40	54	8	5	0.04	1,420
PSE125	3,600	996	50	56	31	125	134	70	92	63	43	67	8	7	0.05	2,410
PSE140	3,600	1,434	56	63	31	140	150	80	107	71	47	75	8	9	0.07	3,540
PSE160	3,600	2,194	63	75	31	160	170	95	120	80	52	85	10	14	0.09	5,090
PSE180	3,600	3,369	71	80	45	180	190	105	134	90	56	95	10	19	0.12	7,730
PSE200	3,600	4,812	80	95	45	200	210	120	149	100	61	105	10	26	0.15	12,700
PSE224	3,080	6,990	90	105	51	224	236	145	174	112	65	118	12	38	0.25	17,800
PSE250	2,650	9,427	100	125	51	250	262	165	200	125	74	131	12	56	0.35	24,200
PSE280	2,340	16,327	125	150	51	280	294	190	224	140	82	147	14	83	0.48	32,300
PSE315	1,980	25,735	16	180	112	315	356	225	260	170	98	178	16	135	0.77	49,700
PSE355	1,800	38,749	180	200	125	355	396	250	288	190	108	198	16	184	0.94	65,800
PSE400	1,570	54,439	200	236	140	400	418	285	329	200	114	209	18	261	1.36	92,400
PCE450	1,540	73,696	200	224	140	450	418	290	352	200	151	209	18	304	1.79	174,000
PCE500	1,320	115,934	236	265	170	500	494	335	404	236	168	245	22	453	2.64	261,000
PCE560	1,170	166,306	265	305	190	560	552	385	460	265	187	276	22	664	3.23	408,000
PCE630	990	259,700	315	355	224	630	658	455	530	315	213	329	28	1,020	4.93	581,000
PCE710	870	372,400	355	400	250	710	738	510	590	355	242	369	28	1,460	6.63	789,000
PCE800	780	533,414	400	450	280	800	832	570	670	400	267	416	32	2,090	9.35	1,110,000
PCE900	840	803,600	475	510	315	900	932	670	792	400	295	466	32	3,030	12.63	1,510,000
PCE1000	760	1,107,400	510	570	355	1000	1040	720	858	450	322	520	40	4,130	13.75	1,970,000
PCE1120	682	1,617,000	600	640	400	1120	1160	840	990	500	360	580	40	5,940	15.45	2,450,000
PCE1250	610	2,077,600	710	800	500	1250	1460	960	1126	560	399	730	40	9,820	18.25	3,250,000