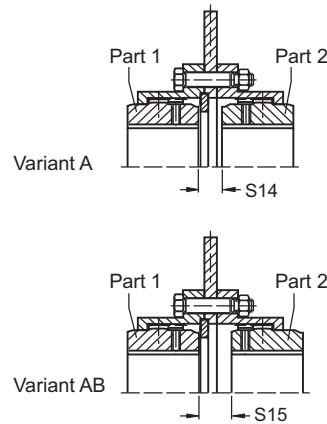
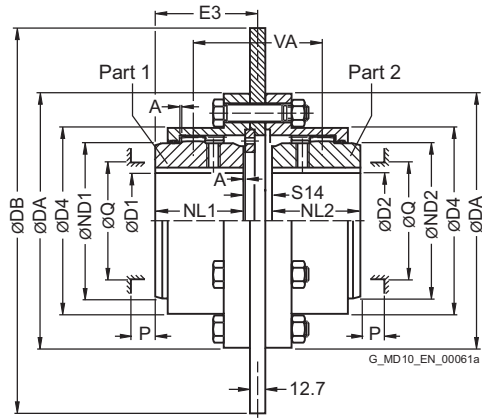


TYPE ZNBG

5



Size	Rated torque T_{KN} Nm	Maximum speed n_{Kmax} rpm	Dimensions in mm													Brake disk		Article no. ¹⁾		Weight m kg	
			D1, D2 Keyway DIN 6885-1 min. max.		DA	ND1/ ND2	NL1/ NL2	D4	S14	S15	A	VA	Q	P	DB	E3	Type				
			A	AB																	
83	1020	3800	0	50	117	67	43	83	17	26	0.5	69	52	31	300	52	2LC0330-0AQ	2LC0330-0AR	10		
107	2210	3200	0	65	152	87	50	107	20.5	26.5	0.5	76.5	68	34	356	61	2LC0330-1AQ	2LC0330-1AR	16		
130	4020	3200	0	82	178	108	62	129.5	20.5	34.5	0.5	96.5	85	42	356	73	2LC0330-2AQ	2LC0330-2AR	16.5		
		17.5							31.5	93.5		406					71.5	2LC0330-2AQ	2LC0330-2AR	19.5	
156	6600	2800	0	100	213	130	76	156	20	32	0.5	108	110	47	406	87	2LC0330-3AQ	2LC0330-3AR	29		
		23							35	111		457					88.5	2LC0330-3AQ	2LC0330-3AR	33	
181	11000	2800	0	116	240	153	90	181	20	34	0.5	124	130	58	406	101	2LC0330-4AQ	2LC0330-4AR	38		
		23							37	127		457					102.5	2LC0330-4AQ	2LC0330-4AR	42	
211	19200	2500	0	137	280	180	105	211	24.5	41.5	0.5	146.5	150	67	457	102.5	2LC0330-5AQ	2LC0330-5AR	58		
		23							37	127		514					102.5	2LC0330-5AQ	2LC0330-5AR	46	
250	30680	2200	0	164	318	214	120	249.5	24	42	1	162	175	72	514	133	2LC0330-6AQ	2LC0330-6AR	77		
		1850							24	42		162					610	118.5	2LC0330-5AQ	2LC0330-5AR	71
		1600							27	45		165					711	134.5	2LC0330-6AQ	2LC0330-6AR	97

Configurable variants ¹⁾

- ØD1 Without finished bore
With finished bore
- ØD2 Without finished bore
With finished bore

¹⁾ To identify complete item numbers specifying the available finish boring options and – if necessary – further order options, please use our configurators on fender.com.

➤ For online configuration on fender.com, click on the item no.

Size	Rated torque T_{KN} Nm	Maximum speed n_{Kmax} rpm	Dimensions in mm													Brake disk		➤ Article no. ¹⁾		Weight m kg
			D1, D2 Keyway DIN 6885-1		DA	ND1/ND2	NL1/NL2	D4	S14	S15	A	VA	Q	P	DB	E3	Type			
			min.	max.													A	AB		
274	43550	2200	80	178	347	233	135	274	26.5	47.5	1	182.5	190	81	514	149.5	2LC0330-7AQ	2LC0330-7AR	97	
		1850							26.5	47.5		182.5			610	149.5	2LC0330-7AQ	2LC0330-7AR	105	
		1600							29.5	50.5		185.5			711	151	2LC0330-7AQ	2LC0330-7AR	115	
		1400							35.5	56.5		191.5			812	154	2LC0330-7AQ	2LC0330-7AR	130	
307	61750	1850	90	198	390	260	150	307	27	51	1	201	220	91	610	165	2LC0330-8AQ	2LC0330-8AR	140	
		1600							30	54		204			711	166.5	2LC0330-8AQ	2LC0330-8AR	155	
		1400							36	60		210			812	169.5	2LC0330-8AQ	2LC0330-8AR	170	
333	87100	1600	100	216	425.5	283	175	332.5	30	61	1	236	250	104	711	191.5	2LC0331-0AQ	2LC0331-0AR	190	
		1400							36	67		242			812	194.5	2LC0331-0AQ	2LC0331-0AR	205	
364	117000	1400	120	242	457	312	190	364	36	74	1	264	265	126	812	209.5	2LC0331-1AQ	2LC0331-1AR	235	

Configurable variants ¹⁾

- ØD1 Without finished bore
With finished bore
- ØD2 Without finished bore
With finished bore

Notes

- Mass moment of inertia on request.
- Weights apply to maximum bores.
- Variant limited in displacement and axial movement. Max. displacement 0.2°.
- Q Diameter required for renewing the sealing rings.
P Length required for renewing the sealing rings, aligning the coupling parts and tightening the set screw.

Ordering example

- ZAPEX ZN BG coupling, size 107, variant A, brake disk diameter DB = 356 mm
- Part 1: Bore 40H7mm, keyway to DIN 6885-1 P9 and set screw
- Part 2: Bore 45K7 mm, keyway to DIN 6885-1 P9 and set screw

Article no.: 2LC0330-1AQ99-0AA0-Z L0W+M1A+M13

¹⁾ To identify complete item numbers specifying the available finish boring options and – if necessary – further order options, please use our configurators on flender.com.

➤ For online configuration on flender.com, click on the item no.