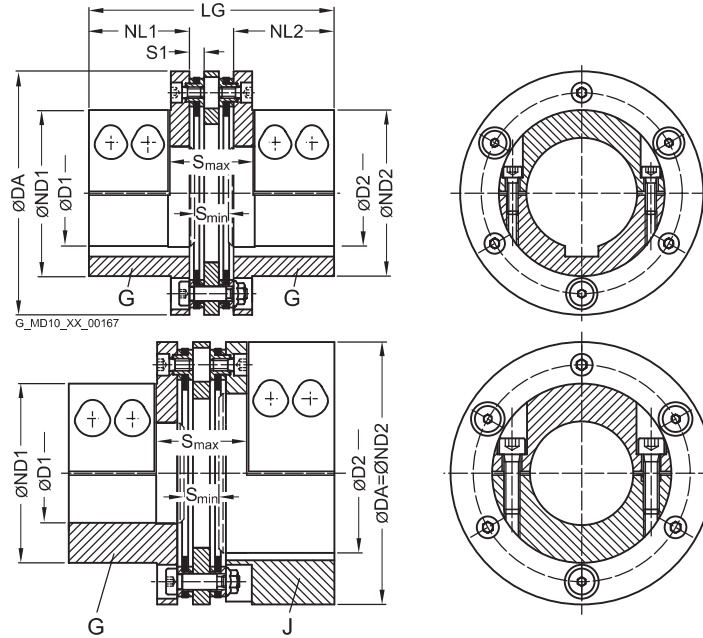


TYPES GG AND GJ

Radially freely dismountable, torsionally rigid coupling, available as types GG and GJ.

Complete dismounting without moving the units with extremely short shaft distances.



Size	Rated torque	Maximum speed	Type	Dimensions in mm										Mass moment of inertia J	Article no. ¹⁾	Weight
				Keyway DIN 6885			ND1	ND2	NL1/NL2	S1	Shaft distance S		LG			
DA	T_{KN}	n_{Kmax}	D1 max. Parallel key/ Clamping seat	D2 max. Parallel key	Clamping seat	min					max.	kgm ²		m		
mm	Nm	rpm												kg		
84-6	120	12500	GG	25	25	25	50	50	40	6	16	39	99	0.0013	2LC0420-0AB99-0AA0	1.7
			GJ		40	48		84						0.0021	2LC0420-0AC99-0AA0	2.1
111-6	190	9450	GG	48	48	48	76	76	40	6	16	39	99	0.0043	2LC0420-1AB99-0AA0	2.9
			GJ		65	65		111						0.0067	2LC0420-1AC99-0AA0	3.6
132-6	350	7950	GG	52	52	52	90	90	55	8	18.5	45	134	0.011	2LC0420-2AB99-0AA0	5.7
			GJ		75	80		132						0.0177	2LC0420-2AC99-0AA0	7
147-6	500	7100	GG	60	60	60	105	105	65	8	18.5	45	154	0.0199	2LC0420-3AB99-0AA0	8.3
			GJ		85	85		147						0.0324	2LC0420-3AC99-0AA0	10.4
171-6	900	6100	GG	70	70	70	122	122	75	9	22.5	56	179	0.0439	2LC0420-4AB99-0AA0	13.3
			GJ		100	100		171						0.0695	2LC0420-4AC99-0AA0	16.4
182-6	1450	5750	GG	70	70	70	126	126	85	11	29	71	205	0.0649	2LC0420-5AB99-0AA0	17.5
			GJ		100	110		182						0.1005	2LC0420-5AC99-0AA0	20.9
202-6	2150	5200	GG	75	75	75	138	138	85	11	29	71	205	0.0986	2LC0420-6AB99-0AA0	21.9
			GJ		115	125		202						0.1519	2LC0420-6AC99-0AA0	25.6
218-6	3200	4800	GG	90	90	90	149	149	95	14	35	86	234	0.1499	2LC0420-7AB99-0AA0	27.2
			GJ		130	130		218						0.2345	2LC0420-7AC99-0AA0	33.6
252-6	4500	4150	GG	100	100	100	166	166	105	17	40.5	101	264	0.2924	2LC0420-8AB99-0AA0	39.9
			GJ		140	150		252						0.4651	2LC0420-8AC99-0AA0	49.8
267-6	6100	3900	GG	110	110	100	177	177	110	17	40.5	102	275	0.3827	2LC0421-0AB99-0AA0	45.9
			GJ		150	160		267						0.6129	2LC0421-0AC99-0AA0	58.1

¹⁾ To identify complete item numbers specifying the available finish boring options and – if necessary – further order options, please use our configurators on flender.com.

↗ For online configuration on flender.com, click on the item no.