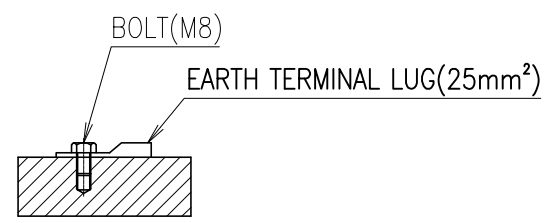
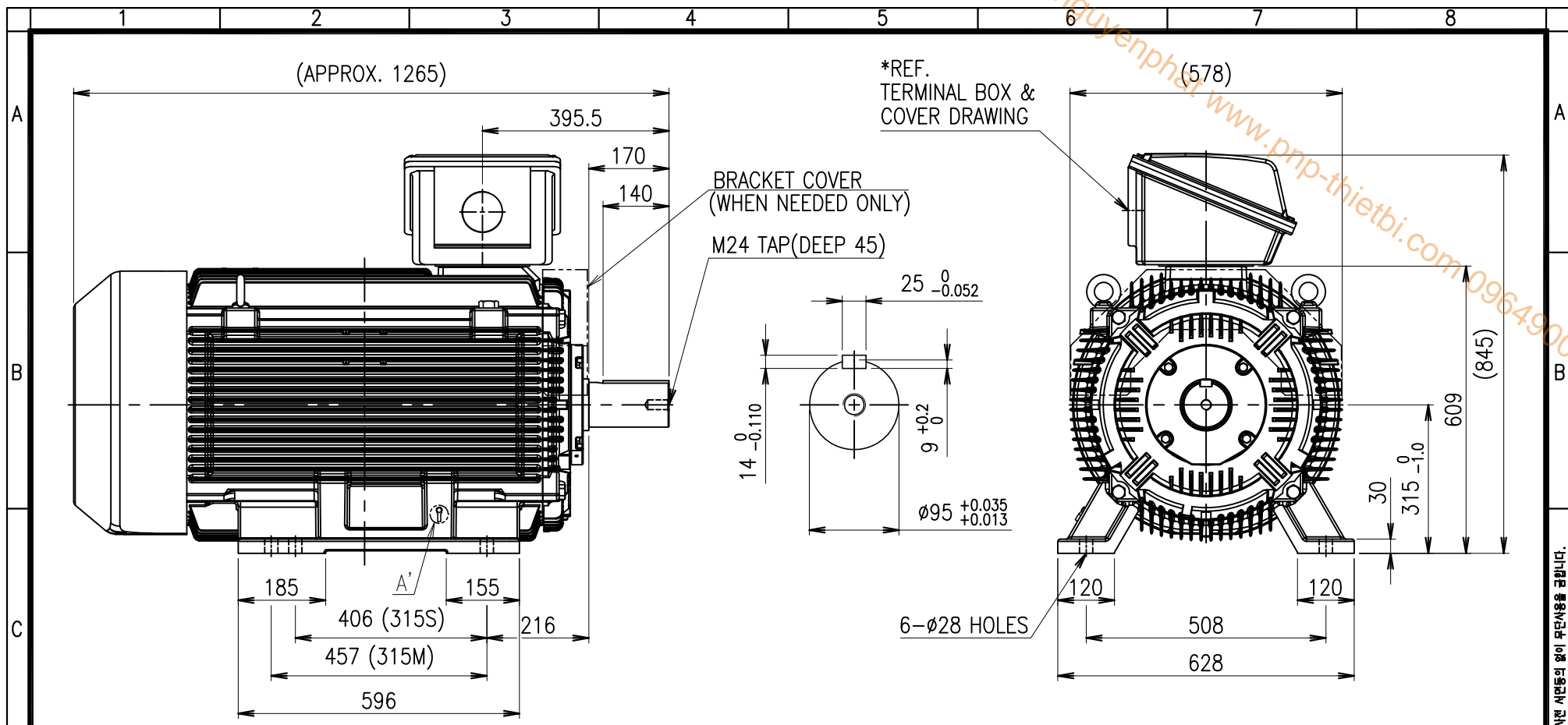


phucnguyenphat www.pnp-thietbi.com 0964900401



DETAIL A'

<NOTE>  
1) TOLERANCE OF HOLES CONFORMS TO H14 OF ISO 2768.

				DWG NAME		저압 유도전동기 외형도 OUTLINE DIMENSIONS					
				DWG No.		ES1AS24826					
				UNIT	mm						
				SCALE	1:12.5						
01		18.05.31	Bracket cover added		DESIGNED	CHECKED	REVIEWED	APPROVED	DATE	2018-05-31	
No.		DATE		DESCRIPTION of REVISION		2018.05.31	2018.06.01		2018.06.01	REVISION No.	01
FORM		A4(297x210mm)		CE-14-0100-444		2013.11.20		THIRD ANGLE PROJECTION			
TYPE		A.C MOTOR 315S,M		REF. No.		-				(C)	

이 도면에 표시된 정보는 (주)효성의 소유이며 당사원의 사전 서면동의 없이 무단사용을 금합니다.