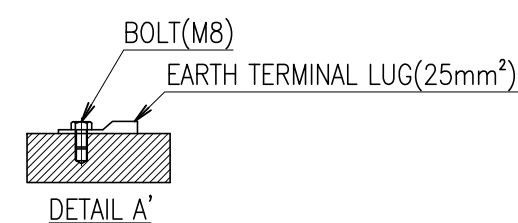
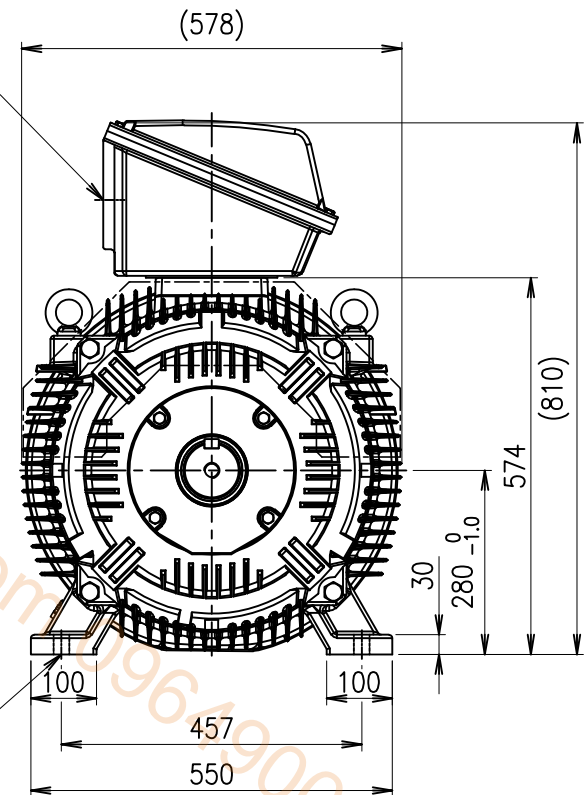


*REF. TERMINAL BOX & COVER DRAWING

BRACKET COVER (WHEN NEEDED ONLY)
M24 TAP(DEEP 45)



<NOTE>
1) TOLERANCE OF HOLES CONFORMS TO H14 OF ISO 2768.

| | | | | | | | |
|-----|----------|-------------------------|--|------------|--|------------------------------------|----------|
| | | DWG NAME | | | | 저압 유도전동기 외형도 OUTLINE DIMENSIONS | |
| | | DWG No. | | | | UNIT | mm |
| | | ES1AS24822 | | | | SCALE | 1:11.5 |
| No. | DATE | DESCRIPTION of REVISION | | | | DESIGNED | CHECKED |
| 01 | 18.05.30 | Bracket cover added | | | | REVIEWED | APPROVED |
| | | 2018.05.30 | | 2018.06.01 | | 2018.06.01 | |
| | | DATE | | | | REVISION No. | 01 |
| | | THIRD ANGLE PROJECTION | | | | | |
| | | TYPE | | | | REF. No. | — |
| | | A.C MOTOR 280S | | | | Ⓒ | |

A4(297x210mm)
FORM CE-14-0100-444
2013.11.20



이 도면에 표시된 정보는 (주)효성의 소유이며, 당사의 사전 서면동의 없이 무단사용을 금합니다.