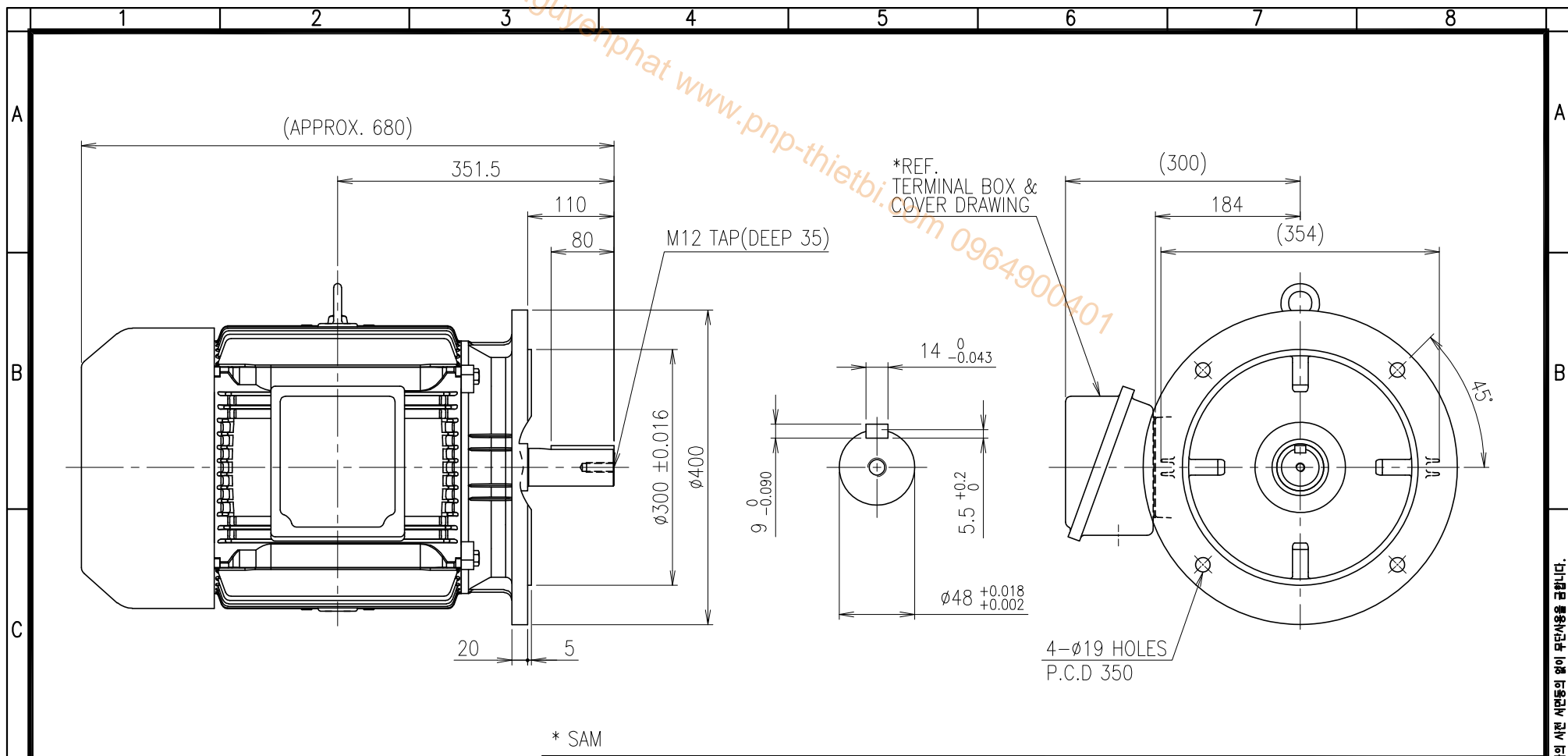


phucnguyenphat www.pnp-thietbi.com 0964900401



\* SAM

<NOTE>

1) TOLERANCE OF HOLES CONFORMS TO H14 OF ISO 2768.

2) DIMENSIONS AND SHAPE COULD VARY UPON DESIGN CONCEPT (EXCEPT FOR IEC STANDARD).

|   |      |                                 |
|---|------|---------------------------------|
| No.   | DATE | DESCRIPTION of REVISION         |
| A4(297x210mm)<br>FORM<br>CE-14-0100-444<br>2013.11.20 |      | <b>HYOSUNG HEAVY INDUSTRIES</b> |
| TYPE  |      | A.C MOTOR 180M                  |

|               |  |  |  |                                    |  |                        |            |
|---------------|--|--|--|------------------------------------|--|------------------------|------------|
| DWG NAME      |  |  |  | 저압 유도전동기 외형도<br>OUTLINE DIMENSIONS |  |                        |            |
| DWG No.       |  |  |  | ES1AS58710                         |  | UNIT                   | mm         |
| DESIGNED      |  |  |  | CHECKED                            |  | SCALE                  | 1:7.5      |
| KANG HYO PARK |  |  |  | 2020.10.27<br>JU HWAN SHIN         |  | DATE                   | 2020-10-23 |
| REVIEWED      |  |  |  | APPROVED                           |  | REVISION No.           | 00         |
|               |  |  |  | 2020.10.27<br>TAE HYUN KIM         |  | THIRD ANGLE PROJECTION |            |
| REF. No.      |  |  |  | -                                  |  | C                      |            |

이 도면상에 표시된 정보는 호성중공업(주)의 소유이며 당사의 사전 서면동의 없이 무단사용을 금합니다.