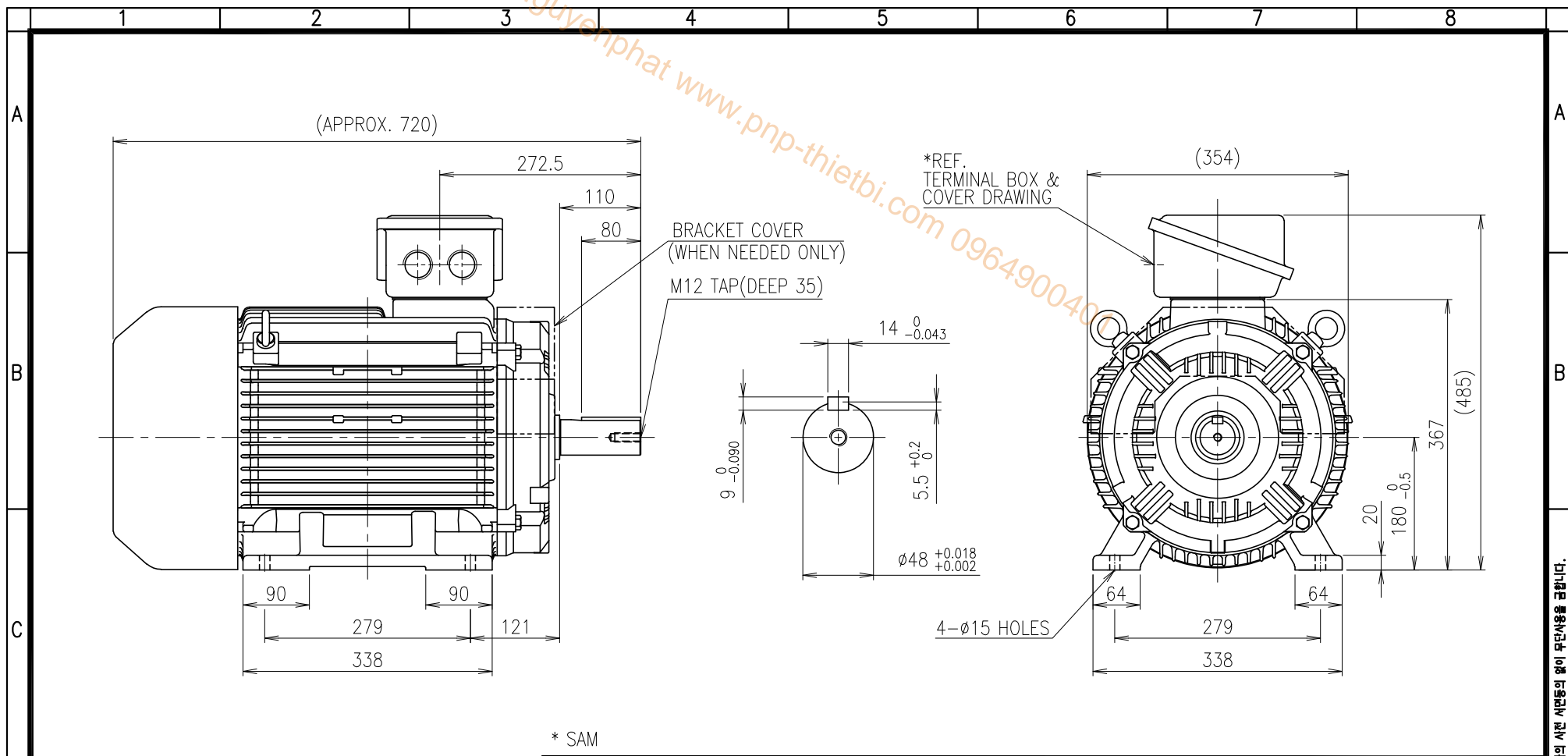


phucnguyenvhat www.pnp-thietbi.com 0964900400



* SAM

<p><NOTE></p> <p>1) TOLERANCE OF HOLES CONFORMS TO H14 OF ISO 2768.</p> <p>2) DIMENSIONS AND SHAPE COULD VARY UPON DESIGN CONCEPT (EXCEPT FOR IEC STANDARD).</p>			<p>DWG NAME 저압 유도전동기 외형도 OUTLINE DIMENSIONS</p>				
			<p>DWG No. ES1AS58911</p>		UNIT	mm	
					SCALE	1:8	
			<p>DESIGNED KANG HYO PARK</p> <p>CHECKED JU HWAN SHIN</p> <p>REVIEWED </p> <p>APPROVED TAE HYUN KIM</p>		DATE	2021-02-17	
<p>No. DATE</p>		<p>DESCRIPTION of REVISION</p>				REVISION No.	00
<p>A4(297x210mm) FORM CE-14-0100-444 2013.11.20</p>		<p>HYOSUNG HEAVY INDUSTRIES</p>				<p>THIRD ANGLE PROJECTION</p>	
<p>TYPE A.C MOTOR 180L</p>		<p>REF. No.</p>		<p>—</p>		<p>Ⓒ</p>	

이 도면상에 표시된 정보는 호성중공업(주)의 소유이며 당사의 사전 서면동의 없이 무단사용을 금합니다.