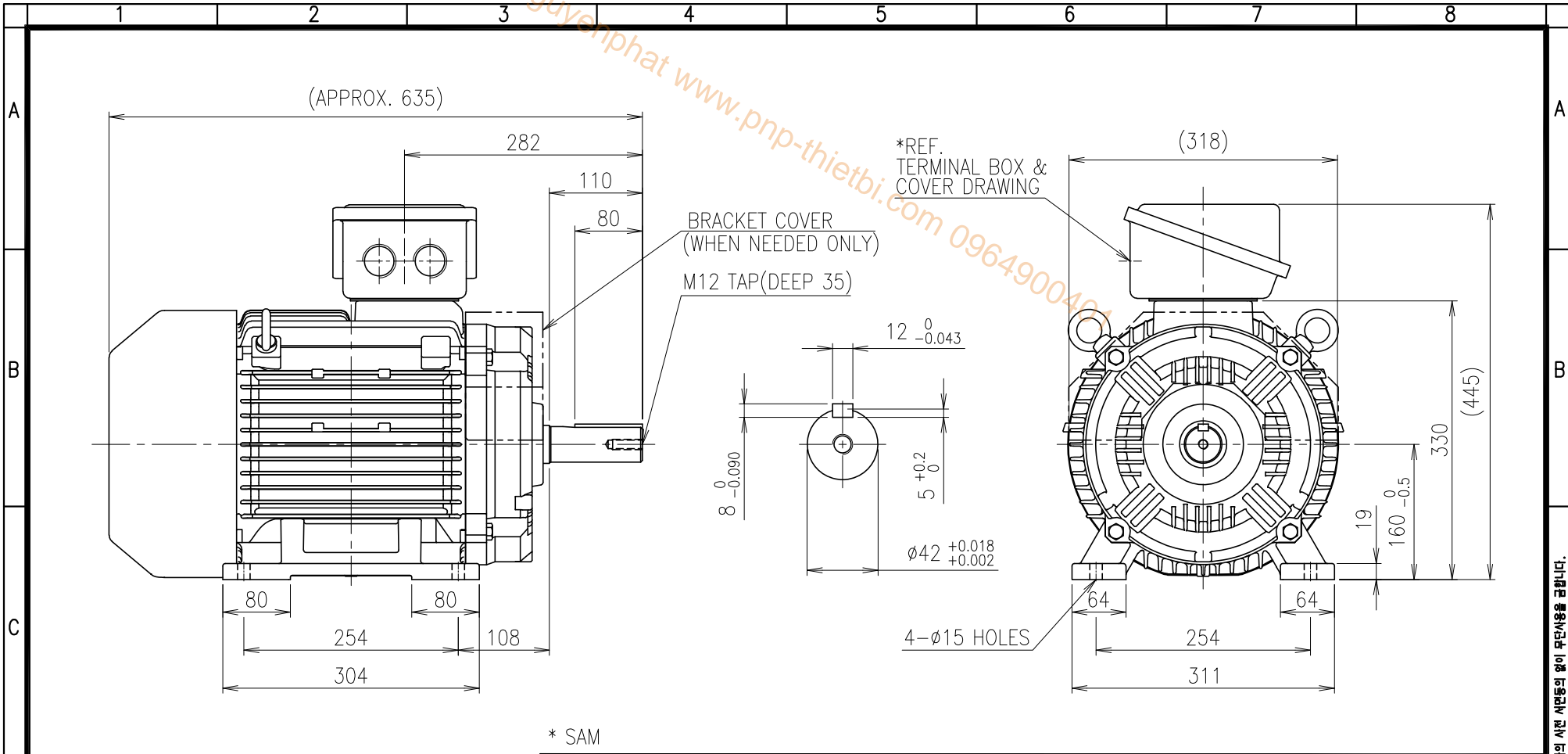


phucnguyenphat www.pnp-thietbi.com 0964900404



\* SAM

<p>&lt;NOTE&gt;</p> <p>1) TOLERANCE OF HOLES CONFORMS TO H14 OF ISO 2768.</p> <p>2) DIMENSIONS AND SHAPE COULD VARY UPON DESIGN CONCEPT (EXCEPT FOR IEC STANDARD).</p>			<p>DWG NAME     <b>저압 유도전동기 외형도</b>  <b>OUTLINE DIMENSIONS</b></p>			
			<p>DWG No.     <b>ES1AS58909</b></p>		UNIT	mm
					SCALE	1:7
			<p>DESIGNED    KANG HYO PARK</p> <p>CHECKED     JU HWAN SHIN</p> <p>REVIEWED    </p> <p>APPROVED    2021.02.17 TAE HYUN KIM</p>		DATE	2021-02-17
<p>No.    DATE</p>		<p>DESCRIPTION of REVISION</p>		<p>REVISION No.    00</p>		
<p>A4(297x210mm) FORM CE-14-0100-444 2013.11.20</p>		<p><b>HYOSUNG HEAVY INDUSTRIES</b></p>		<p>THIRD ANGLE PROJECTION</p>		
<p>TYPE     <b>A.C MOTOR 160L</b></p>		<p>REF. No.     -</p>		<p style="text-align: center;">(C)</p>		

이 도면상에 표시된 정보는 호성중공업(주)의 소유이며 당사의 사전 서면동의 없이 무단사용을 금합니다.