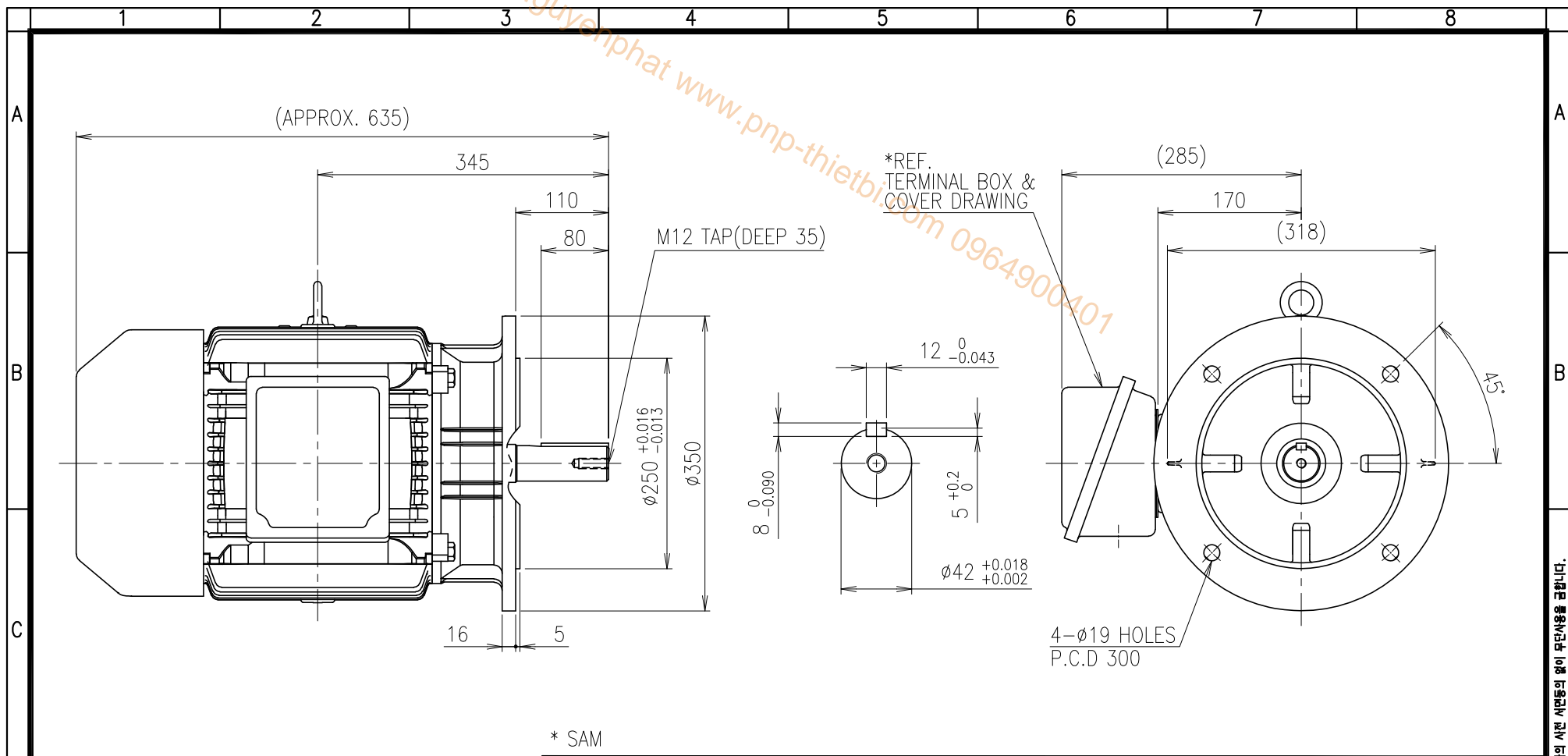


phucnguyenphat www.pnp-thietbi.com 0964900401



* SAM

		DWG NAME				저압 유도전동기 외형도 OUTLINE DIMENSIONS				
		DWG No.				ES1AS58709		UNIT	mm	
		DESIGNED				CHECKED	REVIEWED	APPROVED	DATE	2020-10-23
		2020.10.23 KANG HYO PARK				2020.10.27 JU HWAN SHIN		2020.10.27 TAE HYUN KIM	REVISION No.	00
		No.				DATE				THIRD ANGLE PROJECTION
		DESCRIPTION of REVISION								
A4(297x210mm) FORM CE-14-0100-444 2013.11.20						TYPE				A.C MOTOR 160L
		REF. No.				-				(C)

<NOTE>

- 1) TOLERANCE OF HOLES CONFORMS TO H14 OF ISO 2768.
- 2) DIMENSIONS AND SHAPE COULD VARY UPON DESIGN CONCEPT (EXCEPT FOR IEC STANDARD).

이 도면상에 표시된 정보는 호성중공업(주)의 소유이며 당사의 사전 서면동의 없이 무단사용을 금합니다.