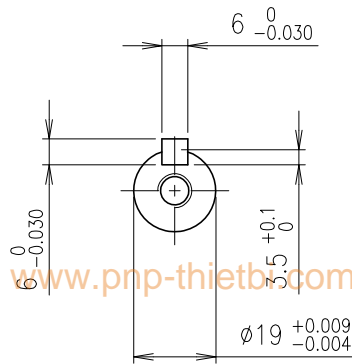
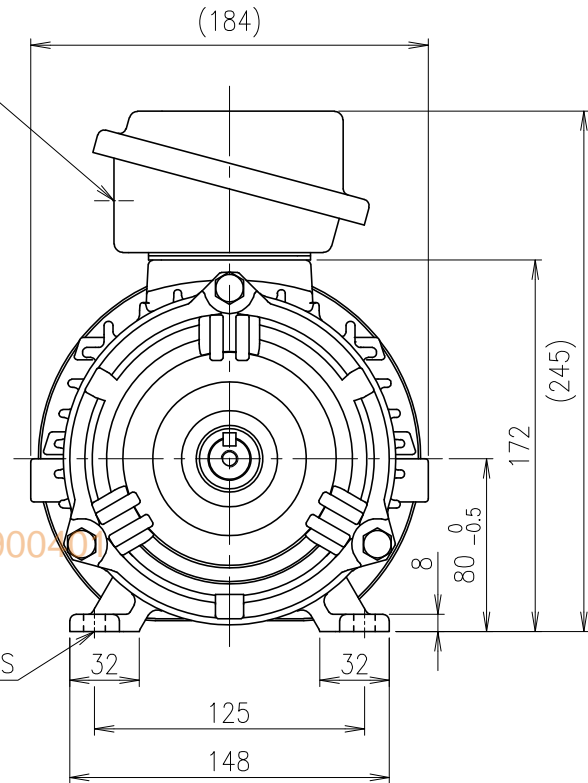


M8 TAP(DEEP 25)



*REF. TERMINAL BOX & COVER DRAWING



* SAM

<NOTE>

- 1) TOLERANCE OF HOLES CONFORMS TO H14 OF ISO 2768.
- 2) DIMENSIONS AND SHAPE COULD VARY UPON DESIGN CONCEPT (EXCEPT FOR IEC STANDARD).

		DWG NAME				저압 유도전동기 외형도		OUTLINE DIMENSIONS		
		DWG No.				ES1AS58901		UNIT	mm	
		DESIGNED				CHECKED	REVIEWED	APPROVED	SCALE	1:3.5
No.	DATE	DESCRIPTION of REVISION				2021.02.17	2021.02.17	2021.02.17	DATE	2021-02-17
						KANG HYO PARK	JU HWAN SHIN	TAE HYUN KIM	REVISION No.	00
						TYPE				A.C MOTOR 80M
A4(297x210mm)		FORM				REF. No.				—
CE-14-0100-444		2013.11.20								(C)